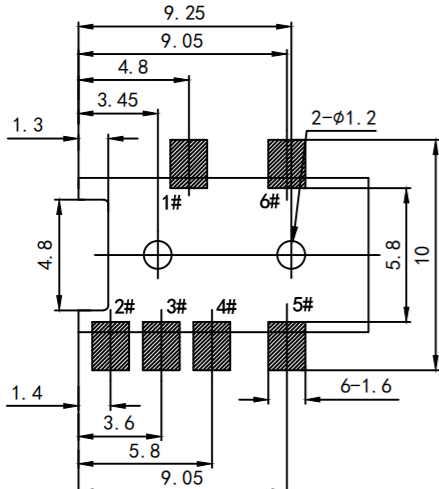
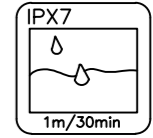
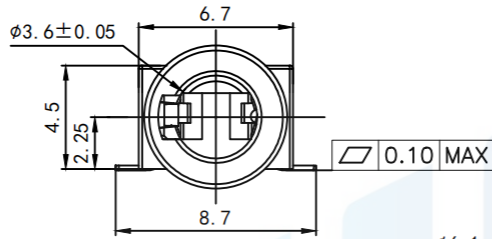
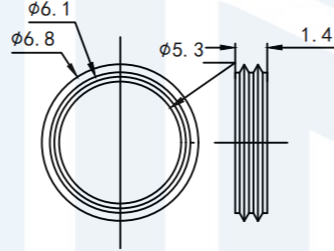


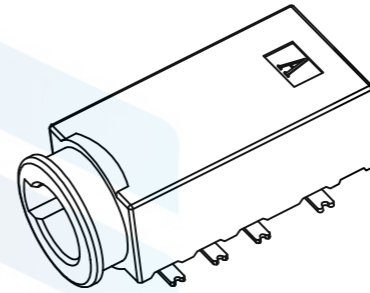
RoHS2.0
Compliant



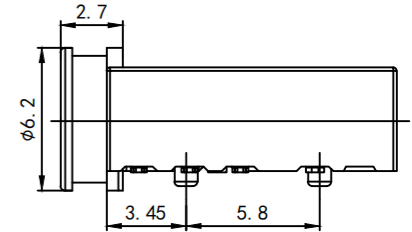
PCB LAYOUT (TOP VIEW)
TOLERANCE: ±0.05



BLACK WATERPROOF RING

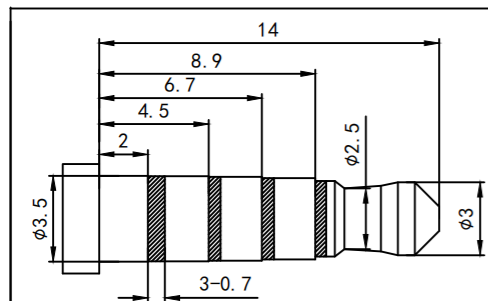
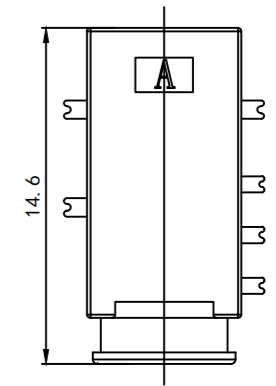
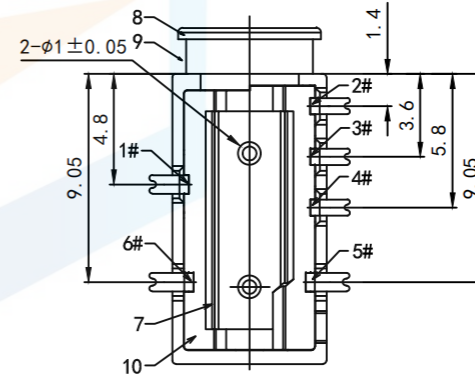


3D VIEW

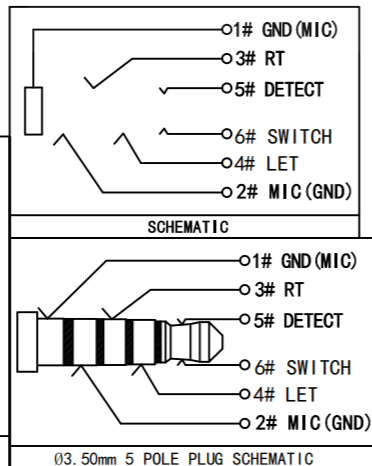


NOTES

1. CURRENT RATING: 1A.
2. CONTACT RESISTANCE: 100mΩ MAX.
3. INSULATION RESISTANCE: 100MΩ MIN.
4. DIELECTRIC WITHSTANDING: 500V AC MIN.
5. DURABILITY: 5000 CYCLES MIN.
6. CONNECTOR MATING FORCES: 3~30N.
7. CONNECTOR UNMATING FORCES: 3~30NX.
8. SALT SPRAY: 24HOUR
9. WATERPROOF LEVEL: IP67.
10. OPERATING TEMPERATURE: -25 CTO +85 °C.



Ø3.50mm 5 POLE PLUG DETAIL

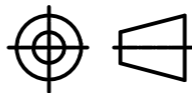


Ø3.50mm 5 POLE PLUG SCHEMATIC

TOLERANCE

X. XXX	±0.05
X. XX	±0.15
X. X	±0.20
X.	±0.30
ANGLE	±5.0°

PROTECTON



东莞市恒祺电子科技有限公司
Dongguan Hengqi Electronic Technology Co., Ltd

<https://www.hq-dz.com>

phone:15812872448

TITLE:

防水耳机插座

PART NO: PJ-3015

DRAWING NO: 14.6*6.7*4.5

DRAWN:

CHECKED:

APPROVED:

DATE: 18-10-08

DATE: 18-10-08

DATE: 18-10-08

UNIT:
mm

SCALE:
FULL

SIZE:
A4