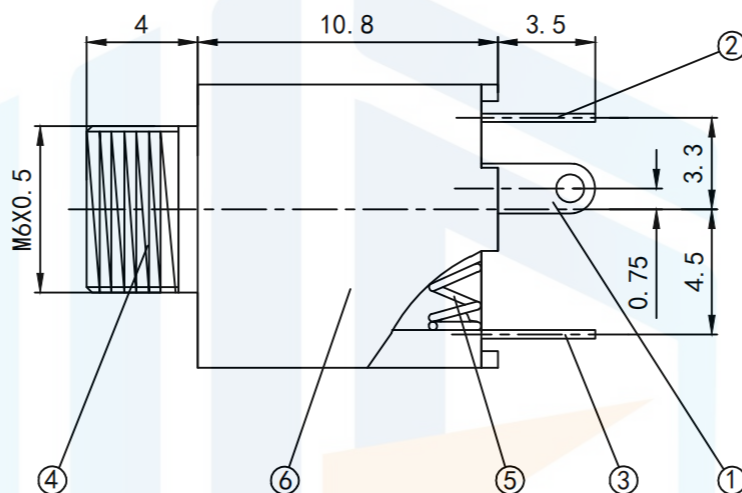
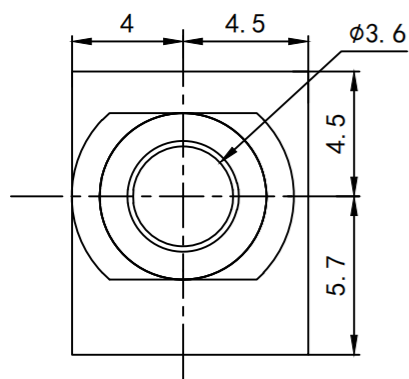
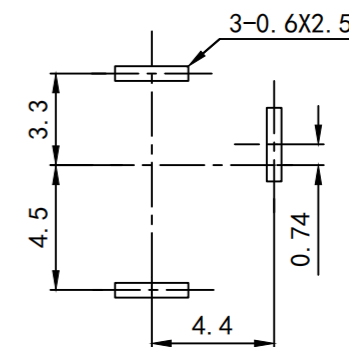


RoHS2.0
Compliant



印制线路板开孔尺寸



Main technical requirements

1. No linear tolerance:

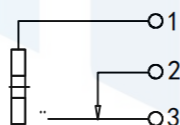
0.0-10.0mm ± 0.10 mm

10.0-20.0mm ± 0.15 mm

20.0-50.0mm ± 0.20 mm

2. Appearance should be good, no corrosion, cracks, poor plating and other phenomena.

按点示意图



序号	名称	数量	材料	镀涂
6	底座	1	增强尼龙	(黑)
5	压簧	1	碳素弹簧钢丝 (II)	铜锡
4	轴套	1	H59黄铜棒	镍
3	簧片	1	锡青铜带T=0.3	锡铈
2	弯片	1	锡青铜带T=0.3	锡铈
1	平片	1	H62黄铜带T=0.35	铜锡

Technical requirements:

1. Rated electric load: 30V, 0.2A;

2. Contact resistance: $\leq 0.03 \Omega$;

3. Insulation resistance: $\geq 100M\Omega$

4. Withstand voltage: AC250V (50HZ)min;

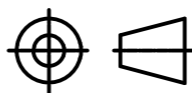
5. Insert and dial force: 3-15N;

6. Life: 5,000 times.

TOLERANCE

X. XXX	± 0.05
X. XX	± 0.15
X. X	± 0.20
X.	± 0.30
ANGLE	$\pm 5.0^\circ$

PROTECTON



东莞市恒祺电子科技有限公司

Dongguan Hengqi Electronic Technology Co., Ltd

<https://www.hq-dz.com>

phone:15812872448

TITLE:

耳机插座

PART NO: PJ-301CM

DRAWING NO: 14.8*8.5*11

DRAWN:

DATE:

18-10-08

UNIT:
mm

CHECKED:

DATE:

18-10-08

SCALE:
FULL

APPROVED:

DATE:

18-10-08

SIZE:
A4