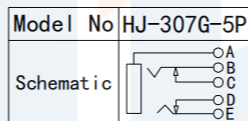
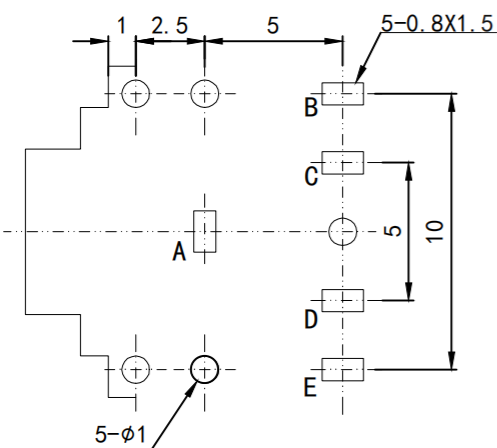
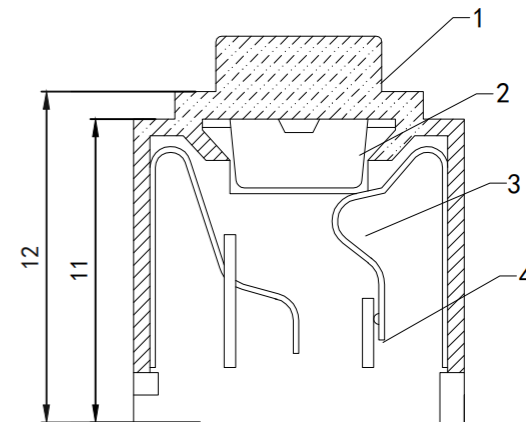
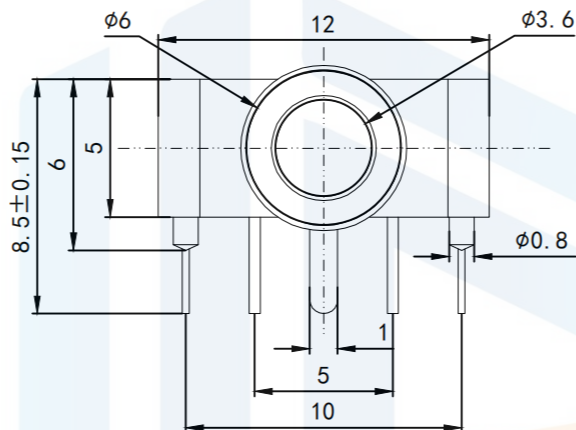
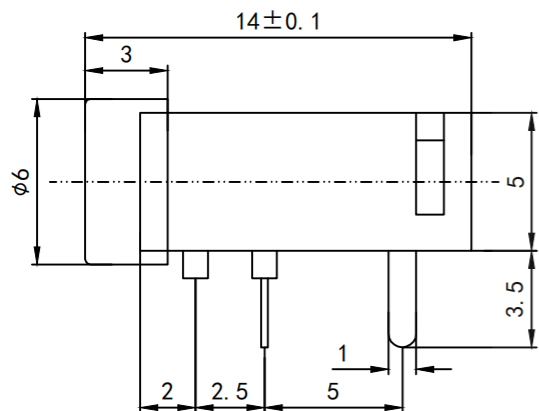


RoHS2.0
Compliant



Main technical performance

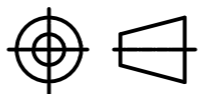
1. Rated electrical load: 30V-0.5A;
2. Contact resistance: <math><0.03\Omega</math>;
3. Insulation resistance: >100M Ω
4. Withstand voltage: AC500V (50Hz)/min;
5. Insertion and withdrawal force: 3~20N;
6. Life: 5,000 times.

6				
5				
4	精触片	黄铜带 t=0.3	2	镀银
3	动触片	锰钢带 t=0.2	2	镀银
2	接触片	黄铜带 t=0.25	1	镀银
1	基座	PA66	1	黑色
序号	名称	材料	数量	镀层

TOLERANCE

X. XXX	±0.05
X. XX	±0.15
X. X	±0.20
X.	±0.30
ANGLE	±5.0°

PROTECTON



东莞市恒祺电子科技有限公司

Dongguan Hengqi Electronic Technology Co., Ltd

<https://www.hq-dz.com>

phone:15812872448

TITLE:

耳机插座

PART NO: PJ-307

DRAWING NO: 14*12*5

DRAWN:

DATE:

18-10-08

UNIT:
mm

CHECKED:

DATE:

18-10-08

SCALE:
FULL

APPROVED:

DATE:

18-10-08

SIZE:
A4