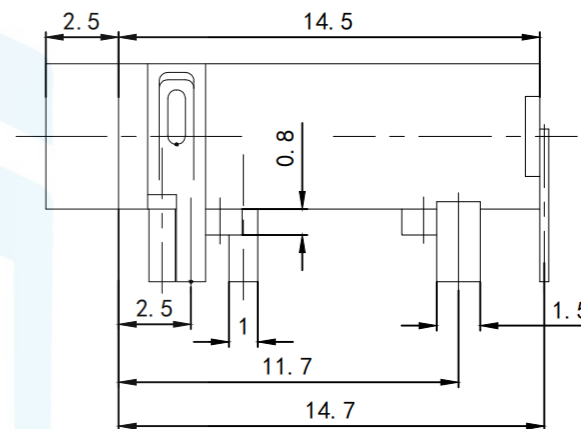
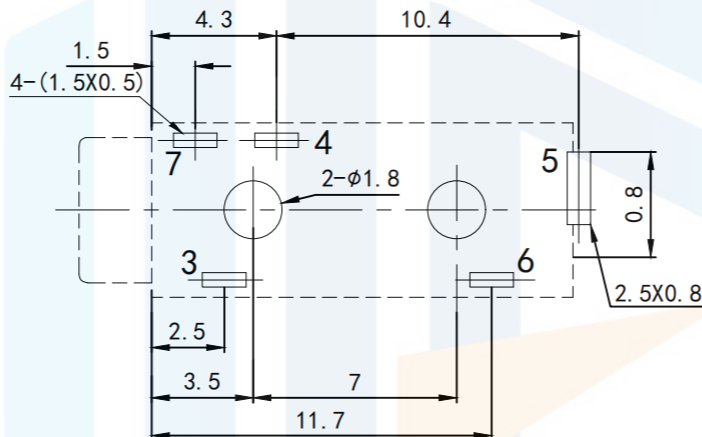
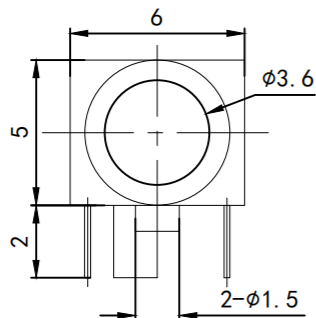
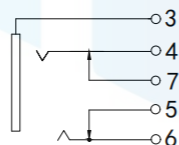


RoHS2.0  
Compliant


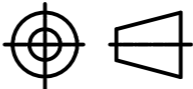


P. C. B LAYOUT TOP VIEW



尺寸公差IT12级  
(GB1804-1998)

Main technical performance  
 Rated electric load DC 30V \ 0.5A  
 Contact resistance 50.03Ω  
 Insulation resistance 2100MΩ  
 Withstand voltage AC500V(50Hz)/min  
 Insertion and withdrawal force 3-20N  
 Operating temperature range -30-70°C  
 Service life 5000 times

TOLERANCE	X. XXX	±0.05		东莞市恒祺电子科技有限公司 Dongguan Hengqi Electronic Technology Co., Ltd		
	X. XX	±0.15		<a href="https://www.hq-dz.com">https://www.hq-dz.com</a> phone:15812872448		
PROTECTON 	X. X	±0.20	TITLE: 耳机插座		PART NO: PJ-328A	
	X.	±0.30	DRAWN:		DATE: 18-10-08	
	ANGLE	±5.0°	CHECKED:		DATE: 18-10-08	
			APPROVED:		DATE: 18-10-08	
					UNIT: mm	
					SCALE: FULL	
					SIZE: A4	