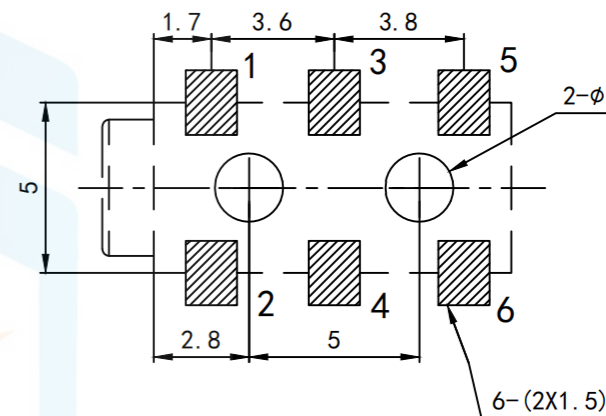
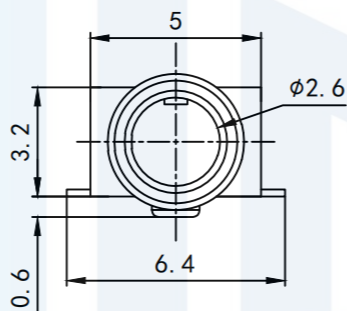
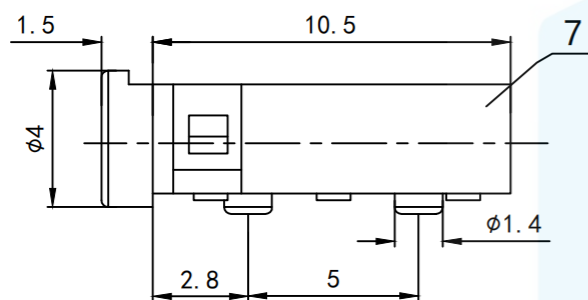
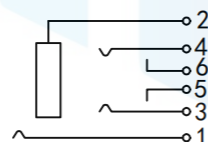


RoHS2.0
Compliant


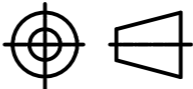
线路板尺寸安装示意图



电路结构示意图



Technical requirement
 Use condition: $-40\sim 55^{\circ}\text{C}$
 Rated load: DC 30V 0.5A
 Contact resistance: $< 0.03\Omega$
 Insulation resistance: $> 100\text{M}\Omega$ DC250V
 Voltage: AC 500V (50Hz) /min
 Insertion and removal force: $3\sim 20\text{N}$
 Mechanical life: 5000 times

TOLERANCE	X. XXX	± 0.05	 东莞市恒祺电子科技有限公司 Dongguan Hengqi Electronic Technology Co., Ltd
	X. XX	± 0.15	
PROTECTON	X. X	± 0.20	https://www.hq-dz.com phone: 15812872448 TITLE: 耳机插座 PART NO: PJ-242D DRAWING NO: 12*5*3.2
	X.	± 0.30	
	ANGLE	$\pm 5.0^{\circ}$	DRAWN: DATE: 18-10-08 UNIT: mm CHECKED: DATE: 18-10-08 SCALE: FULL APPROVED: DATE: 18-10-08 SIZE: A4