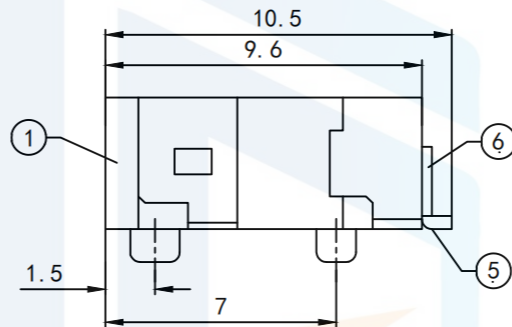
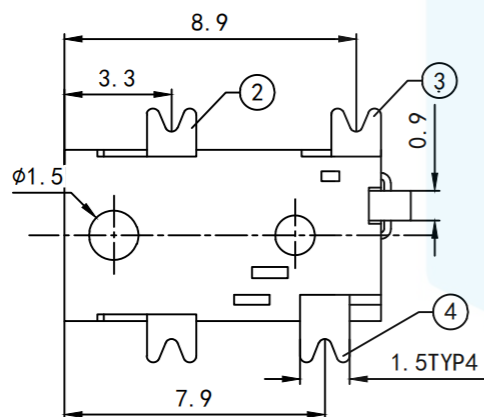
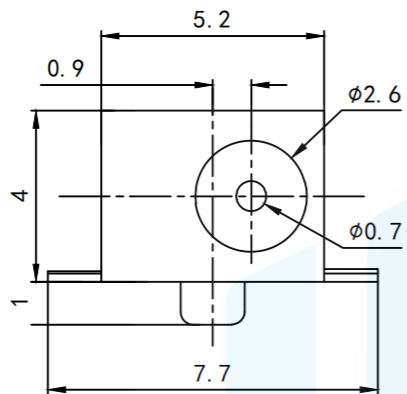
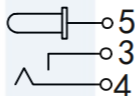


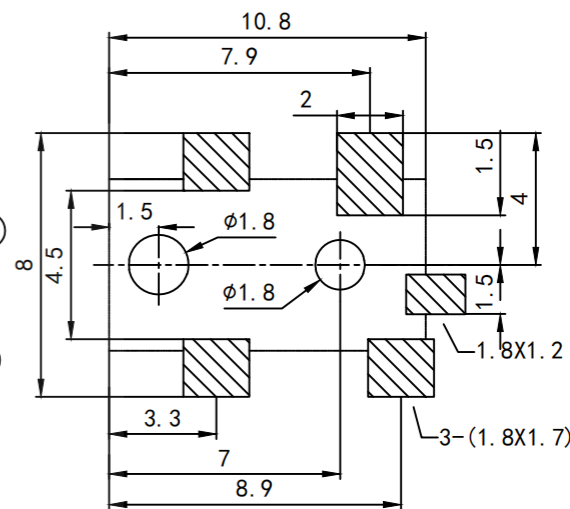
RoHS2.0
Compliant



按点示意图
SCHEMATIC



线路板开孔尺寸
P. C. B LAYOUT



序号	名称	数量	材料	电镀
6	弯片	1	STAINLESS	镀镍
5	插针	1	BRASS	镀锡铈
4	弹片	1	Y-CUT	镀银
3	弯片	1	BRASS	镀银
2	接触脚	1	BRASS	镀银
1	基座	1	PBT	

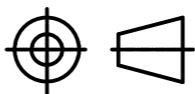
Technical requirements:

1. Rated power load: DC 12V 1A;
2. Contact resistance: <math><0.03\Omega</math>;
3. Insulation resistance: >100M Ω (DC250V);
4. Withstand pressure: 250VAC;
5. Insertion and withdrawal force: 2-8N;
6. Life :5,000 times.

TOLERANCE

X. XXX	± 0.05
X. XX	± 0.15
X. X	± 0.20
X.	± 0.30
ANGLE	$\pm 5.0^\circ$

PROTECTON



东莞市恒祺电子科技有限公司

Dongguan Hengqi Electronic Technology Co., Ltd

<https://www.hq-dz.com>

phone:15812872448

TITLE:

DC电源插座

PART NO:DC-041

DRAWING NO:10.5*5.2*4

DRAWN:

DATE:

18-10-08

UNIT:
mm

CHECKED:

DATE:

18-10-08

SCALE:
FULL

APPROVED:

DATE:

18-10-08

SIZE:
A4