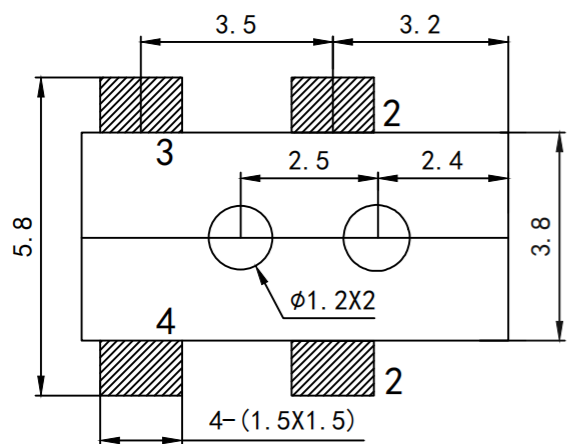
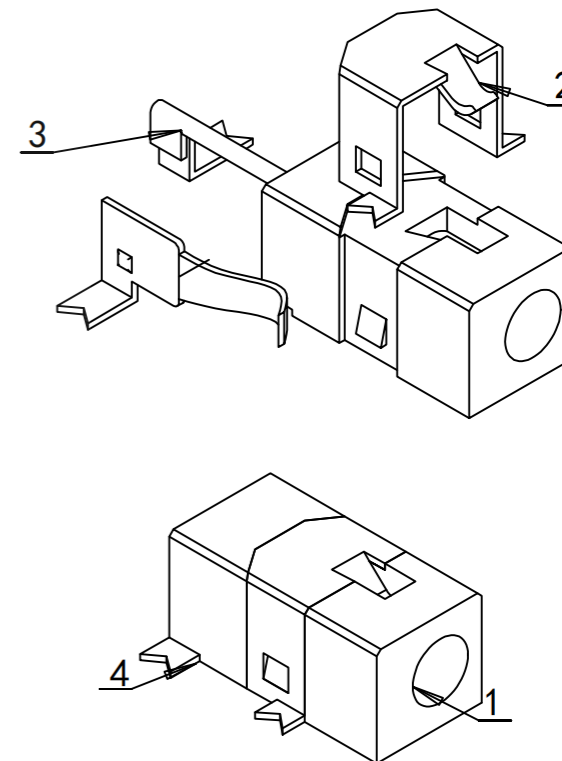
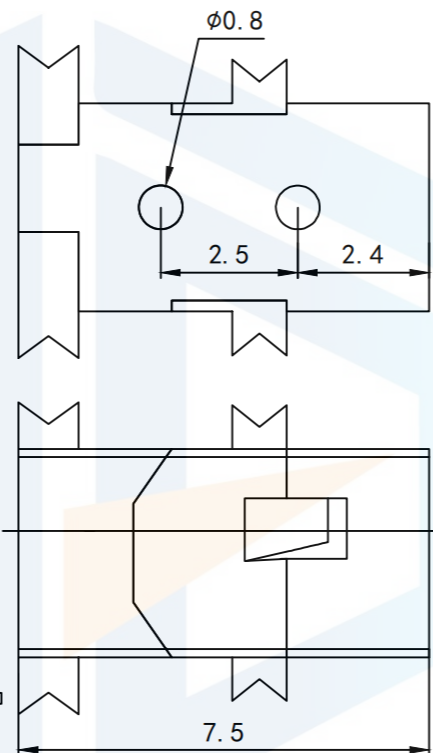
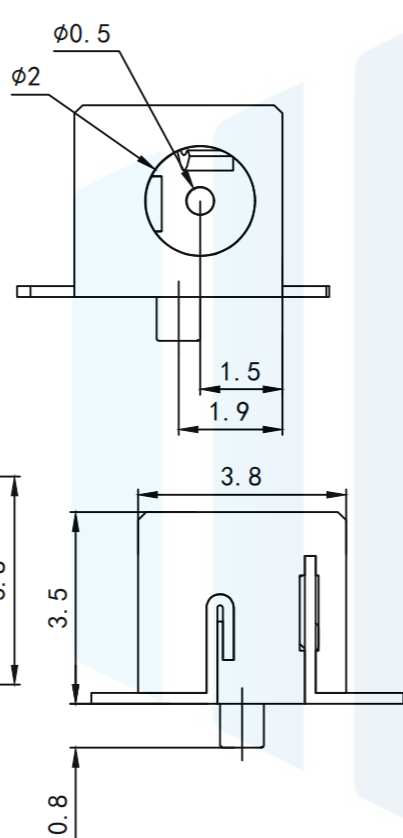
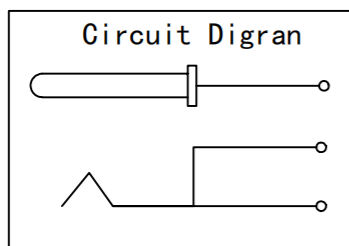

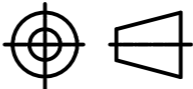


RoHS2.0
Compliant

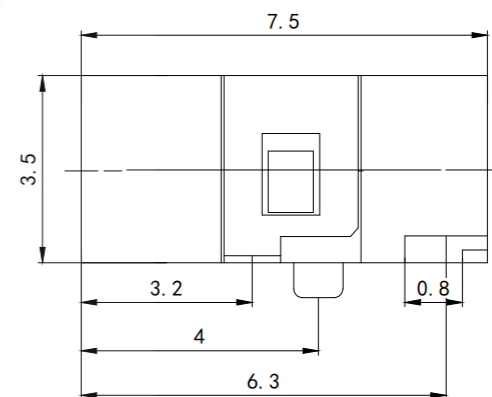
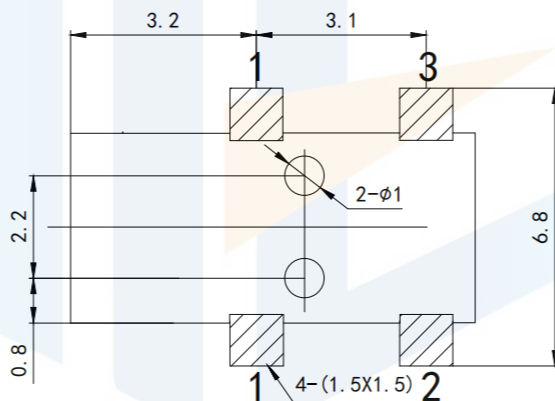
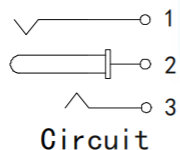
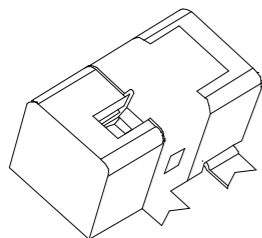
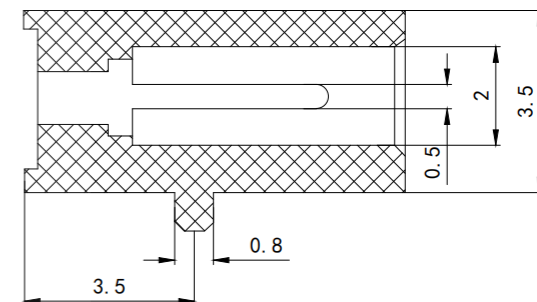
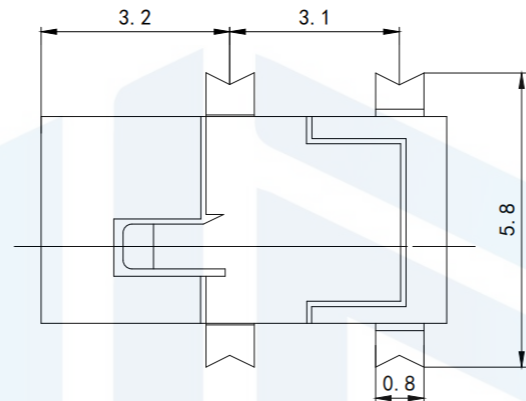
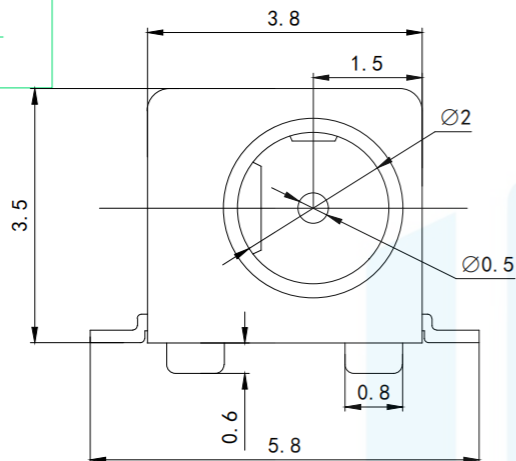


Technical parameters:

1. Contact Resistance: Contact Resistance $< 0.03 \text{MM}\Omega$
2. Load: Rated Load 30V DC 0.5A
3. Insulation Resistance: Insulation resistance $> 100 \text{m}\Omega$
4. Insertion and Extraction Force: 3N~30N
5. Withstand Voltage: 500V, AC/min
6. electrical Life: Life 5000 times
7. Temperature range: Temperature $-40^{\circ}\text{C} \sim +70^{\circ}\text{C}$

TOLERANCE	X. XXX	± 0.05	 东莞市恒祺电子科技有限公司 Dongguan Hengqi Electronic Technology Co., Ltd	
	X. XX	± 0.15		
	X. X	± 0.20	https://www.hq-dz.com phone: 15812872448	
	X.	± 0.30	TITLE: DC电源插座 PART NO: DC-103B DRAWING NO: 7.5*3.8*3.5	
	ANGLE	$\pm 5.0^{\circ}$		
PROTECTON 	DRAWN:		DATE: 18-10-08	UNIT: mm
	CHECKED:		DATE: 18-10-08	SCALE: FULL
	APPROVED:		DATE: 18-10-08	SIZE: A4

RoHS2.0
Compliant



Pad Layout

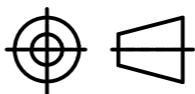
Technical parameters:

1. Contact Resistance: Contact Resistance <math>< 0.03\text{MM}\Omega</math>
2. Load: Rated Load 30V DC 0.5A
3. Insulation Resistance: Insulation resistance >100m Ω
4. Insertion and Extraction Force: 3N~30N
5. Withstand Voltage: 500V, AC/min
6. electrical Life: Life 5000 times
7. Temperature range: Temperature -40~+70°C

TOLERANCE

X. XXX	± 0.05
X. XX	± 0.15
X. X	± 0.20
X.	± 0.30
ANGLE	$\pm 5.0^\circ$

PROTECTON



东莞市恒祺电子科技有限公司

Dongguan Hengqi Electronic Technology Co., Ltd

<https://www.hq-dz.com>

phone: 15812872448

TITLE:

DC电源插座

PART NO: DC-103B横定位柱

DRAWING NO: 7.5*3.8*3.5

DRAWN:

DATE:

18-10-08

UNIT:
mm

CHECKED:

DATE:

18-10-08

SCALE:
FULL

APPROVED:

DATE:

18-10-08

SIZE:
A4