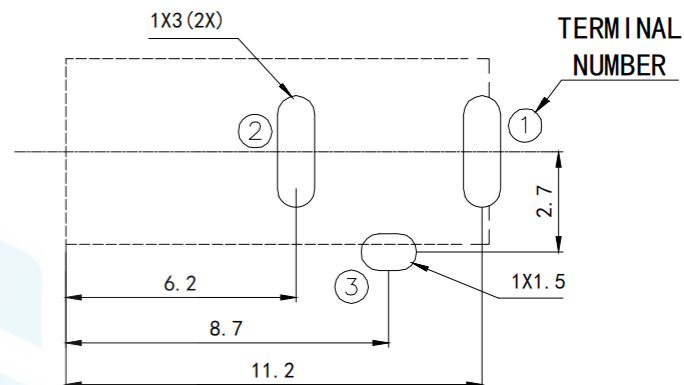
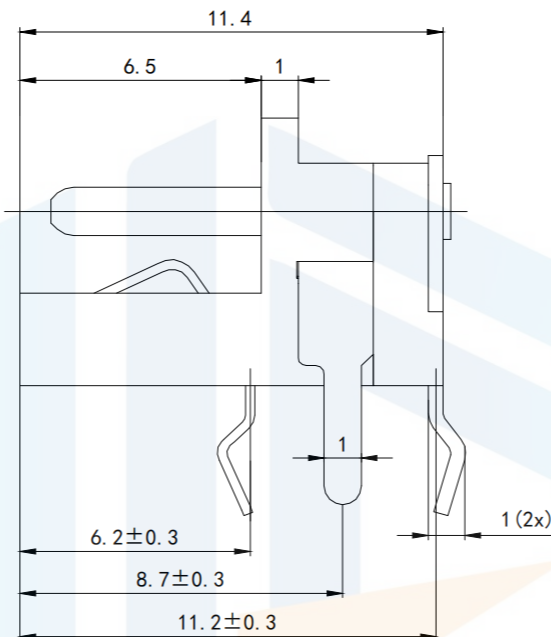
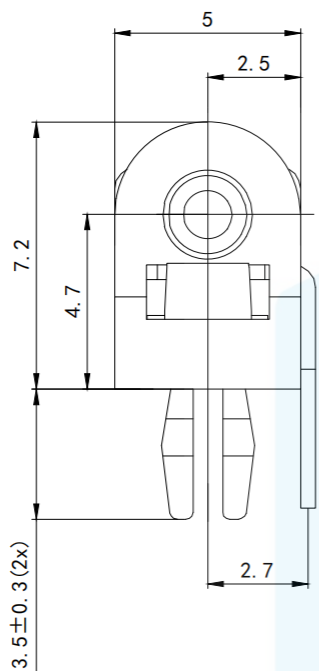
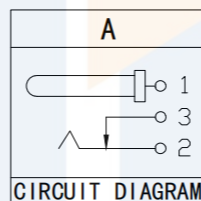
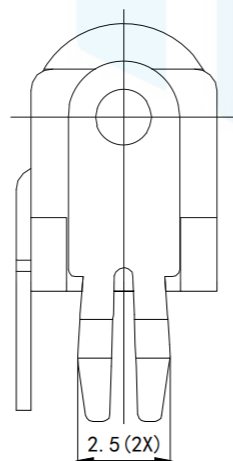


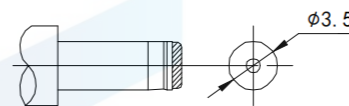
RoHS2.0  
Compliant



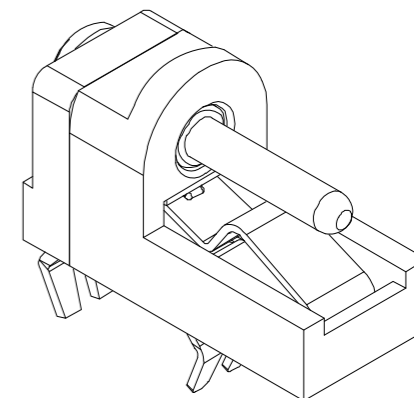
RECOMMENDED PCB LAYOUT  
TOLERANCE: ±0.05



MODEL NO.	C	E
CENTER PIN	∅1.0mm	∅1.3mm



DC MATE PLUG

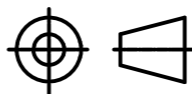


Technical requirements  
Use conditions: -40~55° C  
Rated load: DC 30V 0.5A  
Contact resistance: ≤0.03 Ω  
Insulation resistance: ≥100 Ω DC250V  
Withstand voltage: AC 500V (50Hz)/min  
Insertion force: 3~20N  
Mechanical life: 5000 times

TOLERANCE

X. XXX	±0.05
X. XX	±0.15
X. X	±0.20
X.	±0.30
ANGLE	±5.0°

PROTECTON



东莞市恒祺电子科技有限公司  
Dongguan Hengqi Electronic Technology Co., Ltd

<https://www.hq-dz.com>

phone: 15812872448

TITLE:

DC电源插座

PART NO: DC-001A

DRAWING NO: 11.4\*7.2\*5

DRAWN:

DATE:

18-10-08

UNIT:  
mm

CHECKED:

DATE:

18-10-08

SCALE:  
FULL

APPROVED:

DATE:

18-10-08

SIZE:  
A4