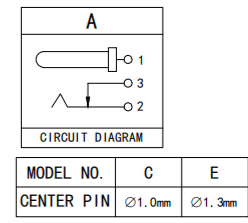
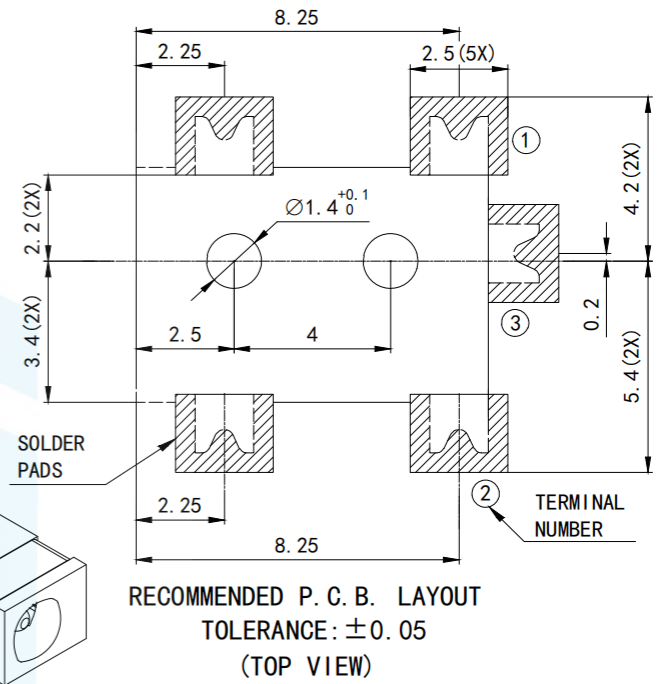
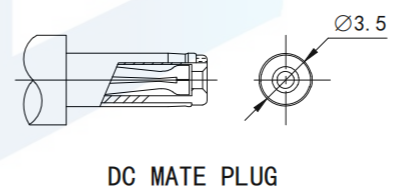
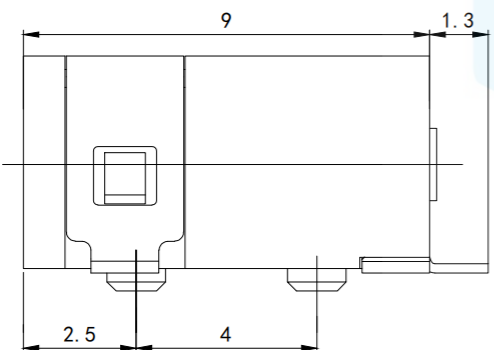
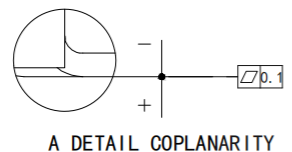
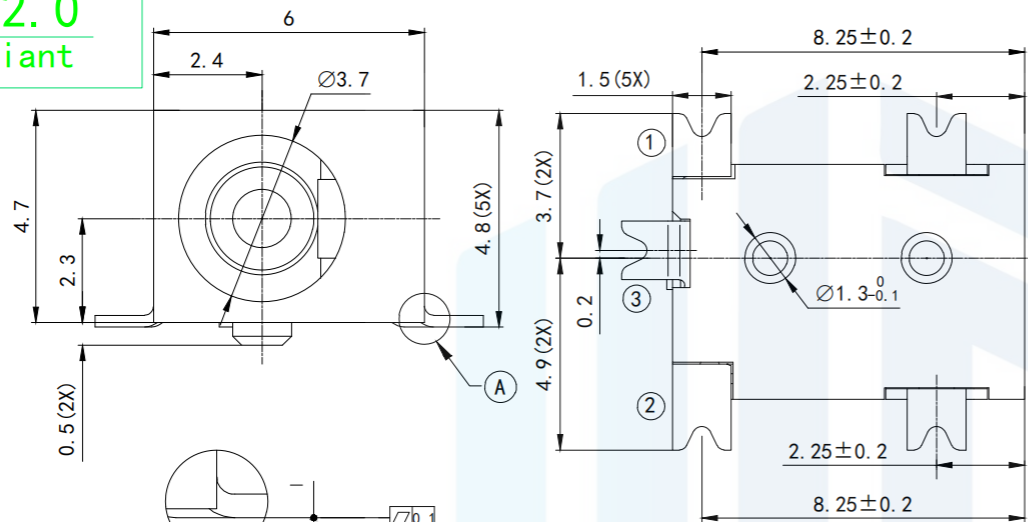


RoHS2.0
Compliant



- Technical requirements
1. Rated load: DC 16V 3.5A
 2. Contact resistance: ≤0.03Ω
After test: ≤50mΩ
 3. Insulation resistance: ≥100Ω DC250V
After test: ≥50mΩ
 4. Withstand voltage: 500VAC
 5. Insertion force: 3-30N
 6. Mechanical life: 5000 times
 7. Operation temperature range: -20°C~70°C

TOLERANCE	X. XXX	±0.05		东莞市恒祺电子科技有限公司 Dongguan Hengqi Electronic Technology Co., Ltd		
	X. XX	±0.15		https://www.hq-dz.com phone: 15812872448		
PROTECTON 	X. X	±0.20	TITLE: DC电源插座	PART NO: DC-092		
	X.	±0.30		DRAWING NO: 9*6*4.7		
	ANGLE	±5.0°		DRAWN:	DATE:	18-10-08
			CHECKED:	DATE:	18-10-08	SCALE: FULL
			APPROVED:	DATE:	18-10-08	SIZE: A4