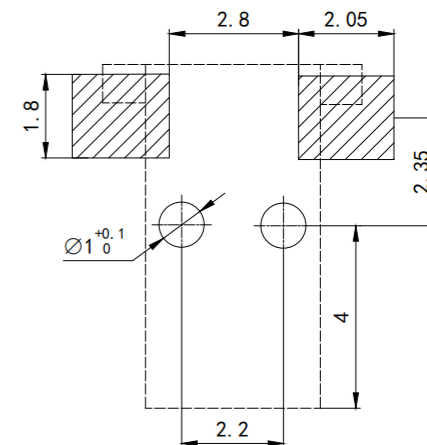
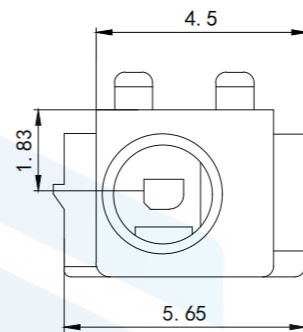
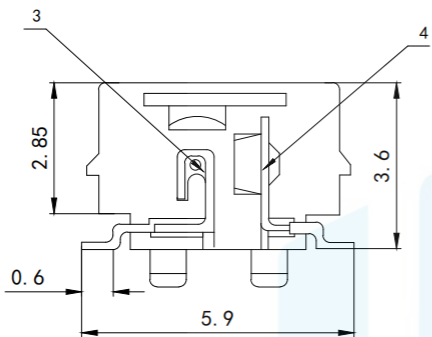
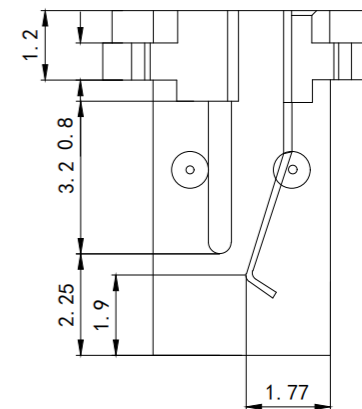
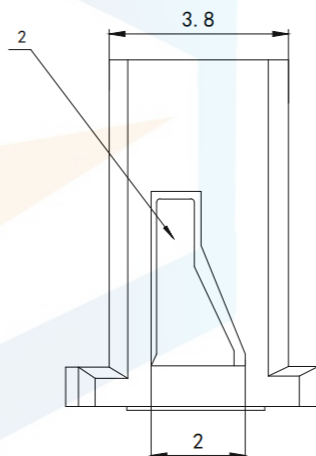
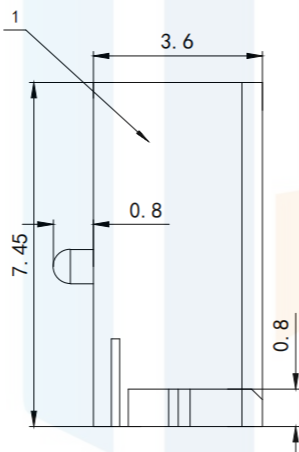
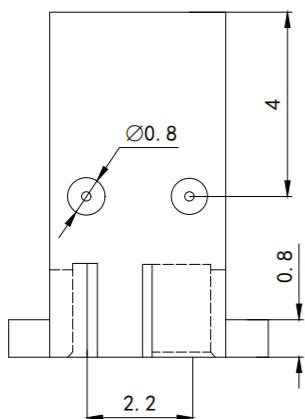


RoHS2.0  
Compliant



Recommended P. C. B.  
Layout (Tolerance= $\pm 0.05$ )



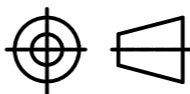
Technical requirements

1. Rated load: DC 30V 0.2A
2. Contact resistance:  $\leq 0.03 \Omega$
3. Insulation resistance:  $\geq 100 \Omega$  DC250V
4. Withstand voltage: AC 500V(50Hz)/min
5. Insertion force: 3~20N
6. Mechanical life: 5000 times
7. Operation temperature range:  $-40^{\circ}\text{C} \sim 55^{\circ}\text{C}$

TOLERANCE

X. XXX	$\pm 0.05$
X. XX	$\pm 0.15$
X. X	$\pm 0.20$
X.	$\pm 0.30$
ANGLE	$\pm 5.0^{\circ}$

PROTECTON



东莞市恒祺电子科技有限公司

Dongguan Hengqi Electronic Technology Co., Ltd

<https://www.hq-dz.com>

phone: 15812872448

TITLE:

DC电源插座

PART NO: DC-096A

DRAWING NO: 7.45\*4.5\*3.8

DRAWN:

DATE:

18-10-08

UNIT:  
mm

CHECKED:

DATE:

18-10-08

SCALE:  
FULL

APPROVED:

DATE:

18-10-08

SIZE:  
A4