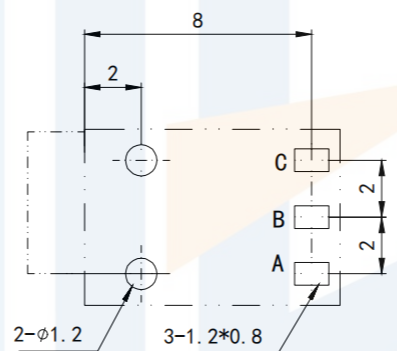
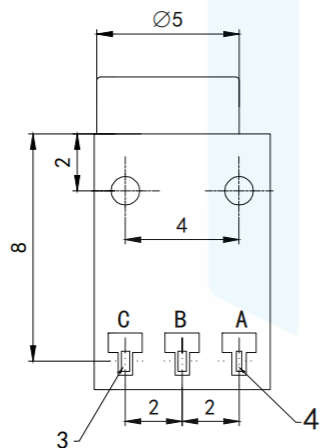
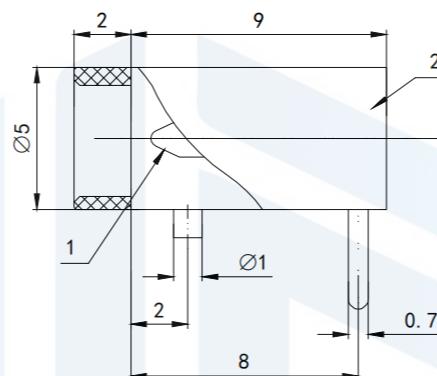
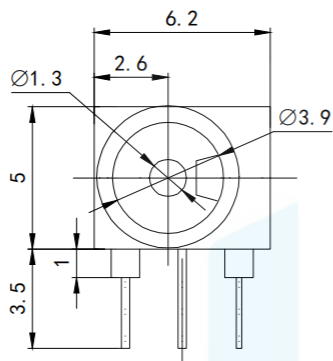
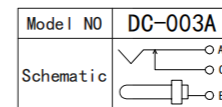



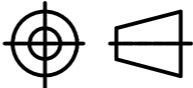
RoHS2.0
Compliant



Schematic diagram of the opening of the printed board



Technical requirements
 Rated load: DC 30V 0.5A
 Contact resistance: $\leq 0.03 \Omega$
 Insulation resistance: $\geq 100 \Omega$
 Withstand voltage: AC 500V (50Hz) /min
 Insertion force: 3~20N
 Mechanical life: 5000 times

TOLERANCE		 东莞市恒祺电子科技有限公司 Dongguan Hengqi Electronic Technology Co., Ltd	
X. XXX	± 0.05		
X. XX	± 0.15	https://www.hq-dz.com	
X. X	± 0.20	phone: 15812872448	
X.	± 0.30	TITLE: DC电源插座	
ANGLE	$\pm 5.0^\circ$	PART NO: DC-003A	
PROTECTON 		DRAWN:	
		CHECKED:	
		APPROVED:	
		DATE: 18-10-08	UNIT: mm
		DATE: 18-10-08	SCALE: FULL
		DATE: 18-10-08	SIZE: A4

<https://www.hq-dz.com>

phone: 15812872448

TITLE:
DC电源插座

PART NO: DC-003A

DRAWING NO: 11*6.2*5

DRAWN:

DATE: 18-10-08

UNIT:
mm

CHECKED:

DATE: 18-10-08

SCALE:
FULL

APPROVED:

DATE: 18-10-08

SIZE:
A4