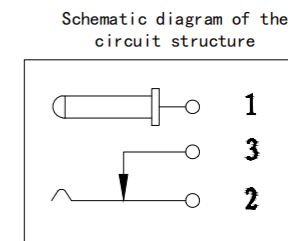
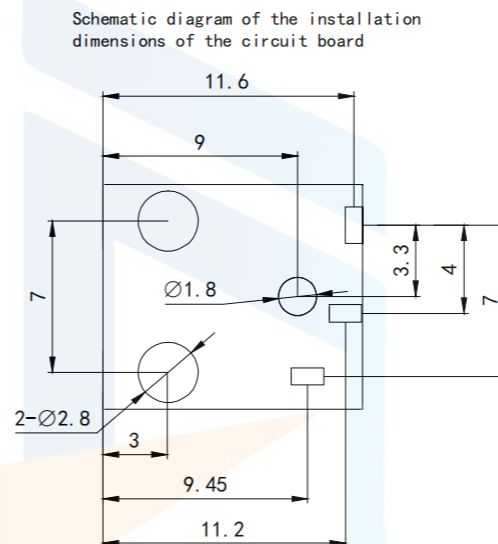
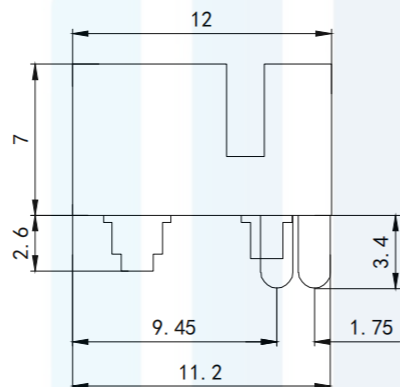
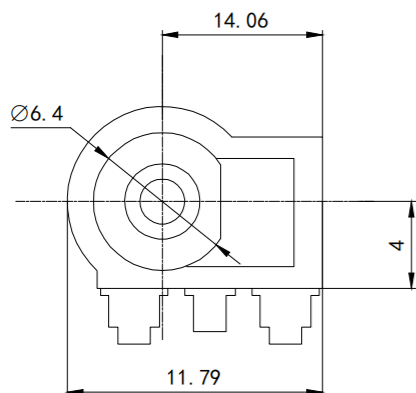


RoHS2.0
Compliant



Technical requirements
 Use conditions: $-40\sim 55^{\circ}\text{C}$
 Rated load: DC 30V 0.5A
 Contact resistance: $\leq 0.03\ \Omega$
 Insulation resistance: $\geq 100\ \Omega$ DC250V
 Withstand voltage: AC 500V(50Hz)/min
 Insertion force: 3~20N
 Mechanical life: 5000 times

TOLERANCE: UNLESS OTHERWISE SPECIFIED		
UNOER	1.5 ± 0.05	$1.5\sim 10\pm 0.1$
		OVER 10 ± 0.2

TOLERANCE X. XXX ± 0.05 X. XX ± 0.15 X. X ± 0.20 X. ± 0.30 ANGLE $\pm 5.0^{\circ}$		东莞市恒祺电子科技有限公司 Dongguan Hengqi Electronic Technology Co., Ltd	
		https://www.hq-dz.com phone: 15812872448	
PROTECTON 	TITLE: DC电源插座		PART NO: DC-004A
	DRAWN:		DRAWING NO: 12*14.6*7
	CHECKED:	DATE: 18-10-08	UNIT: mm
APPROVED:	DATE: 18-10-08	SCALE: FULL	
	DATE: 18-10-08	SIZE: A4	