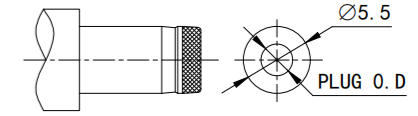
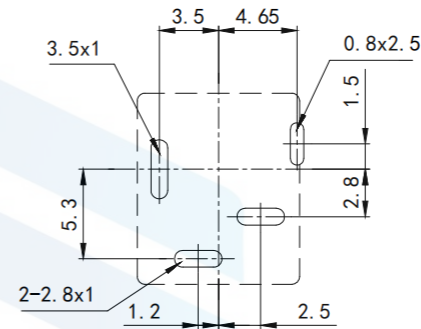
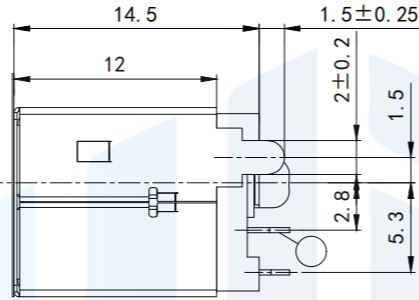
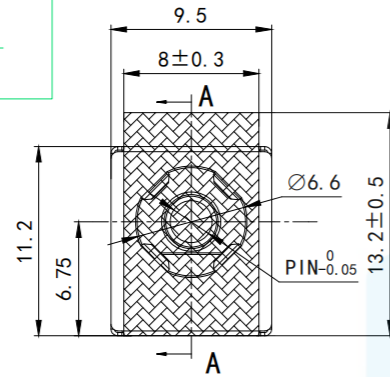
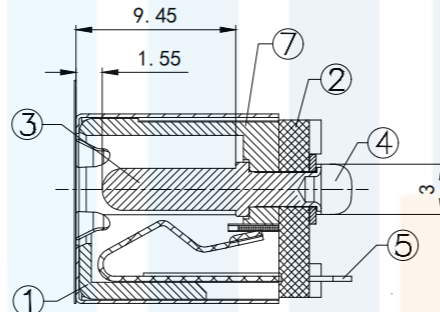
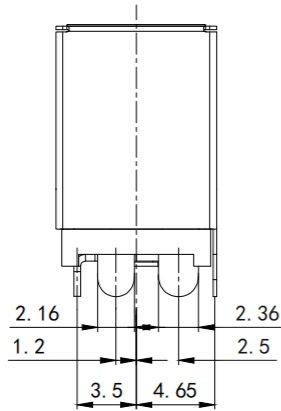


RoHS2.0
Compliant

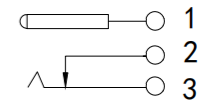
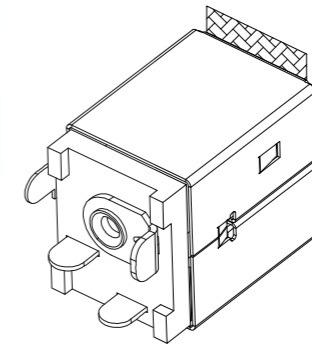
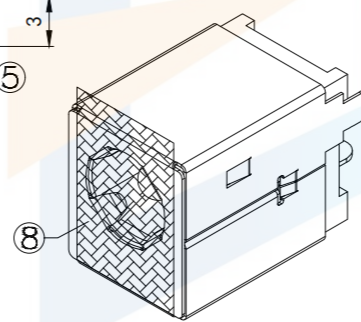


DC MATE PLUG

RECOMMENDED P. C. B LAYOUT
UNSPECIFIED TOLERANCE: ±0.05



SECTION A-A



CIRCUIT DIAGRAM

Model No.	DC012G-AG	DC012G-AH	DC012G-AJ
PIN	Ø1.65	Ø2.0	Ø2.5
PLUG O. D	1.7 ^{+0.1} ₀	2.05 ^{+0.1} ₀	2.55 ^{+0.1} ₀

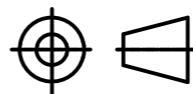
Technical requirements

1. Rated load: DC 30V 0.5A
2. Contact resistance: ≤0.03 Ω
3. Insulation resistance: ≥100 Ω DC250V
4. Withstand voltage: AC 500V (50Hz)/min
5. Insertion force: 3~20N
6. Mechanical life: 5000 times

TOLERANCE

X. XXX	±0.05
X. XX	±0.15
X. X	±0.20
X.	±0.30
ANGLE	±5.0°

PROTECTON



东莞市恒祺电子科技有限公司
Dongguan Hengqi Electronic Technology Co., Ltd

<https://www.hq-dz.com>

phone: 15812872448

TITLE:

DC电源插座

PART NO: DC-012G

DRAWING NO: 14.5*9.5*11.2

DRAWN:

DATE:

18-10-08

UNIT:
mm

CHECKED:

DATE:

18-10-08

SCALE:
FULL

APPROVED:

DATE:

18-10-08

SIZE:
A4