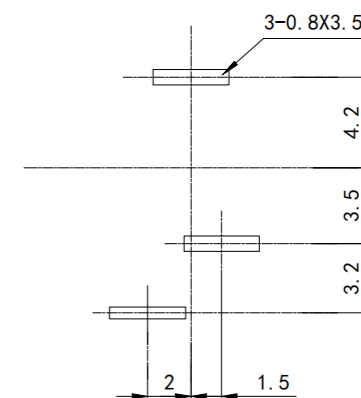
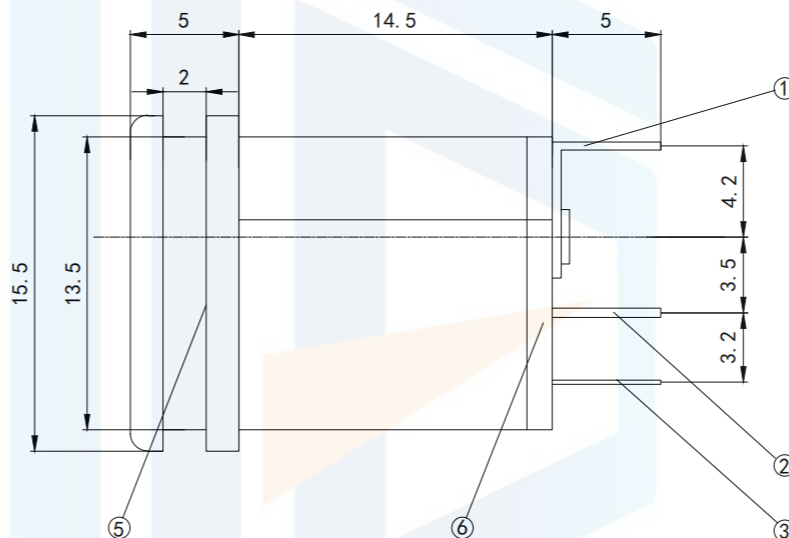
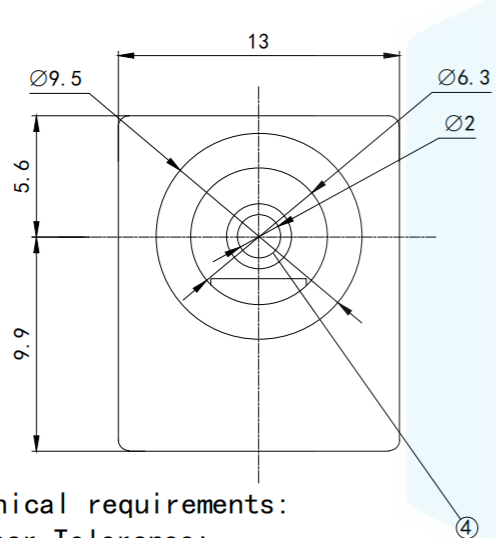


RoHS2.0
Compliant



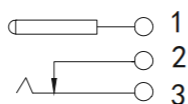
Printed circuit board cut-out ruler

Main technical requirements:

1. No Linear Tolerance:

- 0.0-10.0mm ±0.10mm
- 10.0-20.0mm ±0.15mm
- 20.0-50.0mm ±0.20mm

2. The appearance should be good, without rust, cracks, poor electroplating and other phenomena.



CIRCUIT DIAGRAM

Technical requirements

1. Rated load: DC 50V 0.2A
2. Contact resistance: $\leq 0.03 \Omega$
3. Insulation resistance: $\geq 100 \Omega$ DC250V
4. Withstand voltage: AC 500V (50Hz)/min
5. Insertion force: 3~20N
6. Mechanical life: 5000 times

TOLERANCE			东莞市恒祺电子科技有限公司 Dongguan Hengqi Electronic Technology Co., Ltd		
X. XXX	±0.05				
X. XX	±0.15	https://www.hq-dz.com			phone:15812872448
X. X	±0.20	TITLE: DC电源插座		PART NO:DC-015A	
X.	±0.30			DRAWING NO:15*13*15.5	
ANGLE	±5.0°	DRAWN:		DATE:	18-10-08
PROTECTON 		CHECKED:		DATE:	18-10-08
		APPROVED:		DATE:	18-10-08
				UNIT:	mm
				SCALE:	FULL
				SIZE:	A4