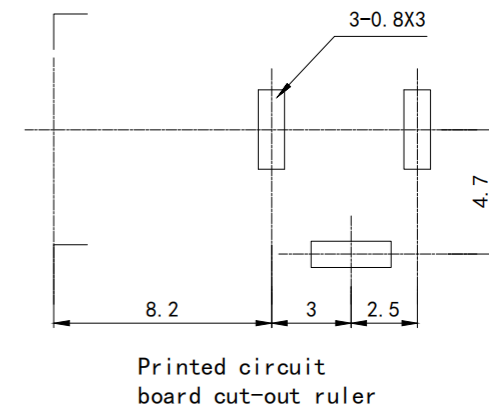
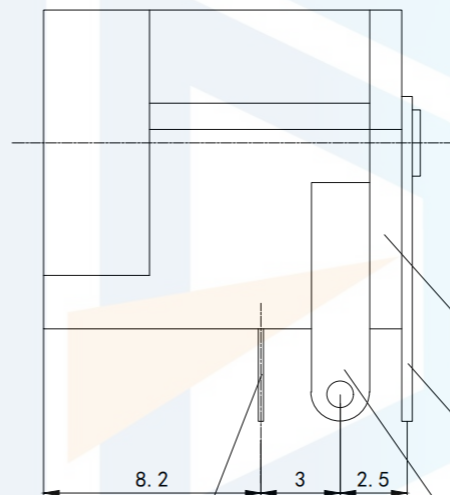
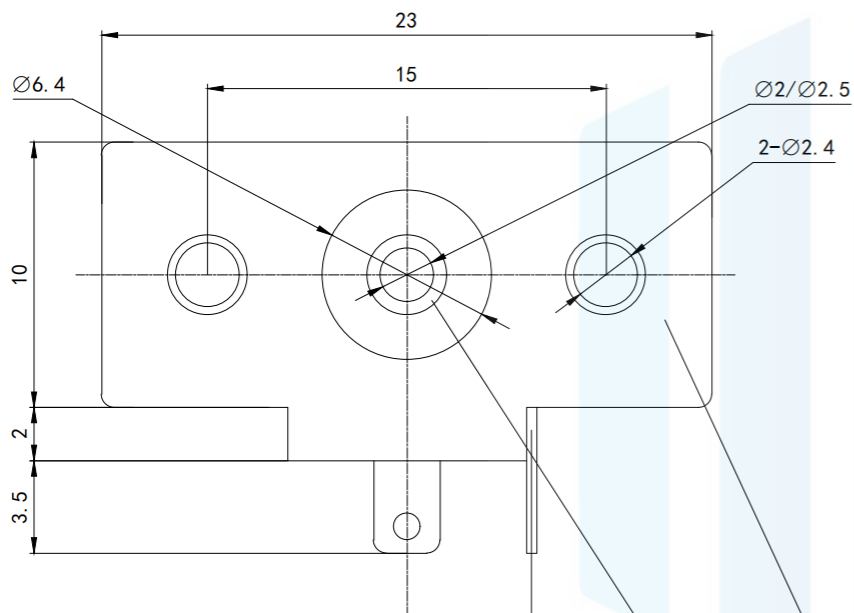


RoHS2.0  
Compliant



Main technical requirements:

1. No Linear Tolerance:

0.0-10.0mm ±0.10mm

10.0-20.0mm ±0.15mm

20.0-50.0mm ±0.20mm

2. The appearance should be good, without rust, cracks, poor electroplating and other phenomena.

Technical requirements

1. Rated load: DC 30V 0.2A

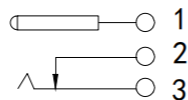
2. Contact resistance: ≤0.03 Ω

3. Insulation resistance: ≥100 Ω DC250V


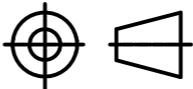
4. Withstand voltage: AC 500V (50Hz)/min

5. Insertion force: 3~20N

6. Mechanical life: 5000 times



CIRCUIT DIAGRAM

<b>TOLERANCE</b> X. XXX ±0.05 X. XX ±0.15 X. X ±0.20 X. ±0.30 ANGLE ±5.0°	 <b>东莞市恒祺电子科技有限公司</b> Dongguan Hengqi Electronic Technology Co., Ltd			
	<a href="https://www.hq-dz.com">https://www.hq-dz.com</a> phone:15812872448			
<b>PROTECTON</b> 	<b>TITLE:</b> DC电源插座		<b>PART NO:</b> DC-020	
	<b>DRAWN:</b>		<b>DRAWING NO:</b> 23*12*3.5	
	<b>CHECKED:</b>	<b>DATE:</b> 18-10-08	<b>DATE:</b> 18-10-08	<b>UNIT:</b> mm
<b>APPROVED:</b>	<b>DATE:</b> 18-10-08	<b>DATE:</b> 18-10-08	<b>SCALE:</b> FULL	
		<b>DATE:</b> 18-10-08	<b>SIZE:</b> A4	