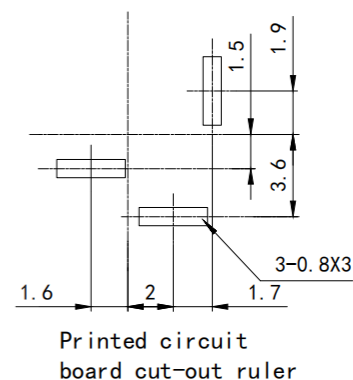
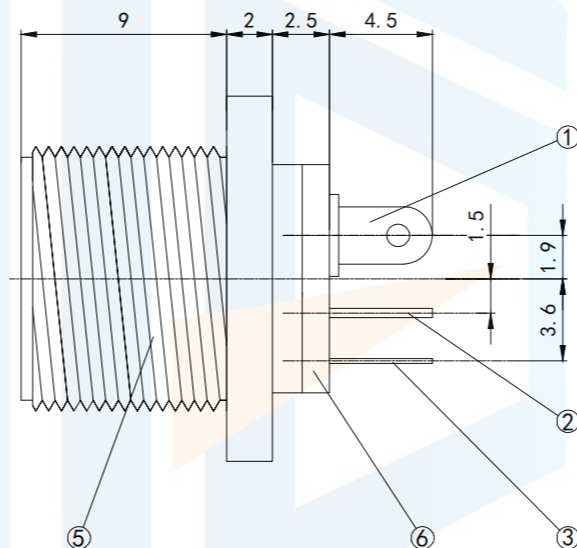
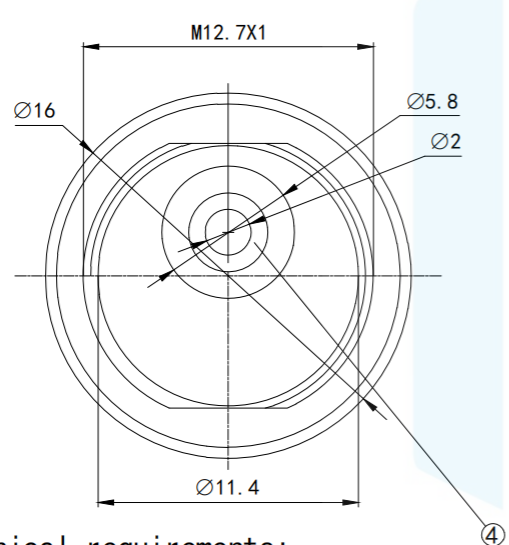


RoHS2.0
Compliant



Main technical requirements:

1. No Linear Tolerance:

0.0-10.0mm ±0.10mm

10.0-20.0mm ±0.15mm

20.0-50.0mm ±0.20mm

2. The appearance should be good, without rust, cracks, poor electroplating and other phenomena.

Technical requirements

1. Rated load: DC 30V 0.2A

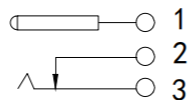
2. Contact resistance: ≤0.03 Ω

3. Insulation resistance: ≥100Ω DC250V

4. Withstand voltage: AC 500V (50Hz)/min

5. Insertion force: 3~20N

6. Mechanical life: 5000 times



CIRCUIT DIAGRAM

TOLERANCE X. XXX ±0.05 X. XX ±0.15 X. X ±0.20 X. ±0.30 ANGLE ±5.0°		东莞市恒祺电子科技有限公司 Dongguan Hengqi Electronic Technology Co., Ltd	
		https://www.hq-dz.com phone:15812872448	
PROTECTON 	TITLE: DC电源插座		PART NO: DC-021
	DRAWN:		DRAWING NO: 9*2*2.5
	CHECKED:	DATE: 18-10-08	UNIT: mm
APPROVED:	DATE: 18-10-08	SCALE: FULL	SIZE: A4