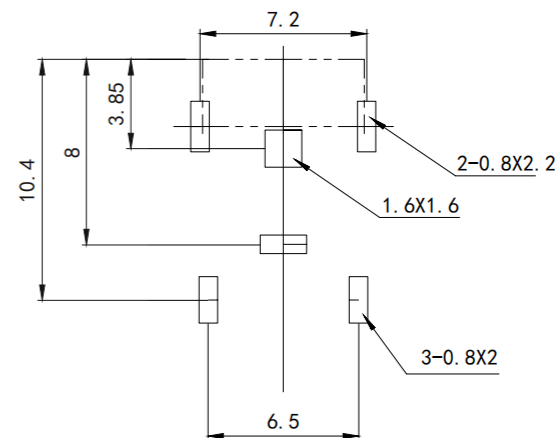
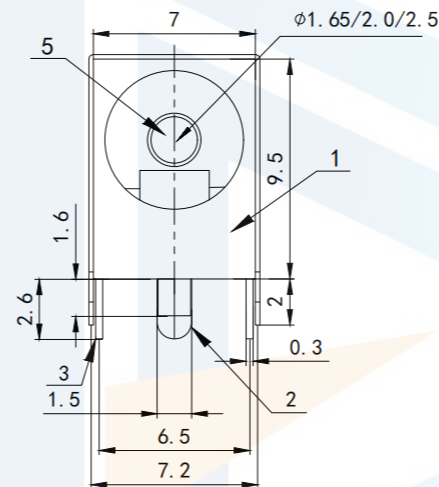
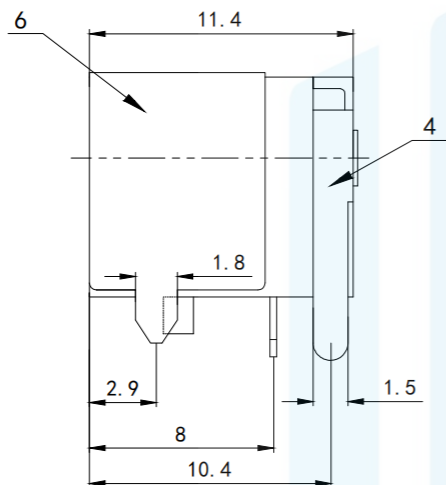


RoHS2.0  
Compliant



Printed circuit  
board cut-out ruler

Main technical requirements:

1. No Linear Tolerance:

0.0-10.0mm  $\pm 0.10$ mm

10.0-20.0mm  $\pm 0.15$ mm

20.0-50.0mm  $\pm 0.20$ mm

2. The appearance should be good, without rust, cracks, poor electroplating and other phenomena.

Technical requirements

1. Rated load: DC 50V 0.2A

2. Contact resistance:  $\leq 0.03 \Omega$

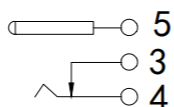
3. Insulation resistance:  $\geq 100 \Omega$  DC250V

4. Withstand voltage: AC 500V (50Hz)/min

5. Insertion force: 3~20N

6. Mechanical life: 5000 times

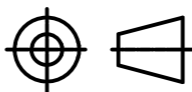
SCHEMATIC



TOLERANCE

X. XXX	$\pm 0.05$
X. XX	$\pm 0.15$
X. X	$\pm 0.20$
X.	$\pm 0.30$
ANGLE	$\pm 5.0^\circ$

PROTECTON



东莞市恒祺电子科技有限公司

Dongguan Hengqi Electronic Technology Co., Ltd

<https://www.hq-dz.com>

phone: 15812872448

TITLE:

DC电源插座

PART NO: DC-036A

DRAWING NO: 11.4\*9.5\*7

DRAWN:

DATE:

18-10-08

UNIT:  
mm

CHECKED:

DATE:

18-10-08

SCALE:  
FULL

APPROVED:

DATE:

18-10-08

SIZE:  
A4