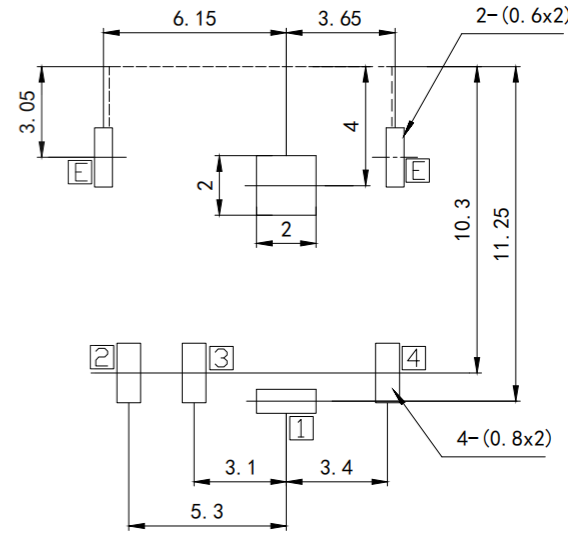
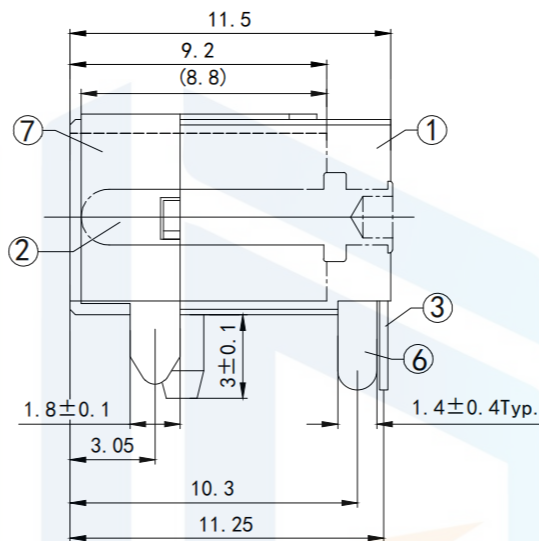
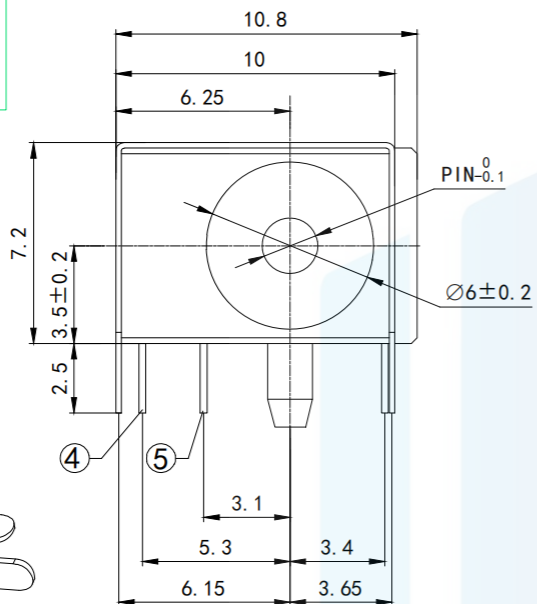
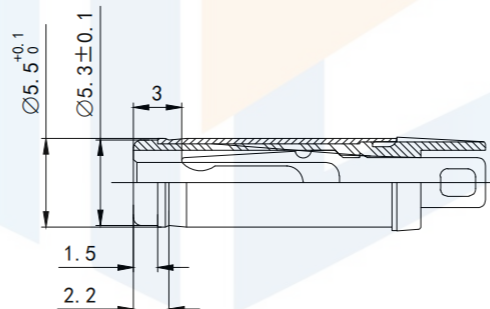
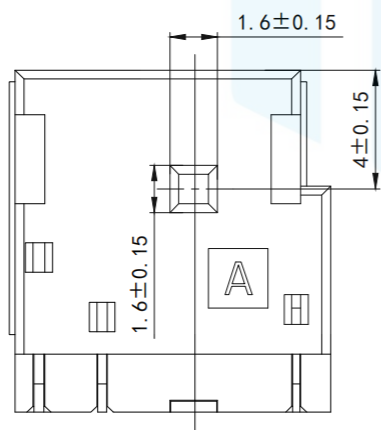
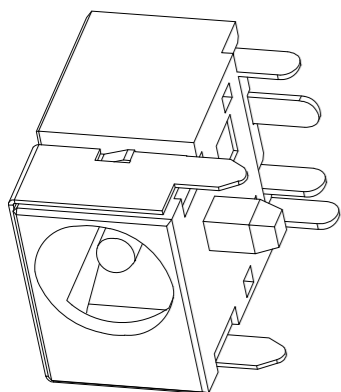


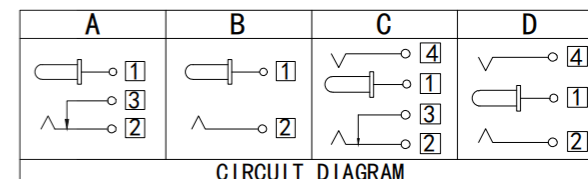
RoHS2.0  
Compliant



PCB HOLES (COTTOM VIEW) T=1.6mm  
NOTE: GENERAL TOLERANCE: ±0.05mm  
(BOTTOM VIEW)



Model No.	G	H	J
CENTER PIN	Ø1.65	Ø2	Ø2.5



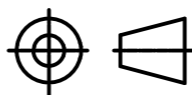
Technical requirements

1. Rated load: DC 30V 0.5A
2. Contact resistance: ≤0.03 Ω
3. Insulation resistance: ≥100 Ω DC250V
4. Withstand voltage: AC 500V (50Hz)/min
5. Insertion force: 3~20N
6. Mechanical life: 5000 times

TOLERANCE

X. XXX	±0.05
X. XX	±0.15
X. X	±0.20
X.	±0.30
ANGLE	±5.0°

PROTECTON



东莞市恒祺电子科技有限公司  
Dongguan Hengqi Electronic Technology Co., Ltd

<https://www.hq-dz.com> phone: 15812872448

TITLE: DC电源插座	PART NO: DC-044C
DRAWING NO: 11.5*10.8*7.2	

DRAWN:	DATE: 18-10-08	UNIT: mm
CHECKED:	DATE: 18-10-08	SCALE: FULL
APPROVED:	DATE: 18-10-08	SIZE: A4