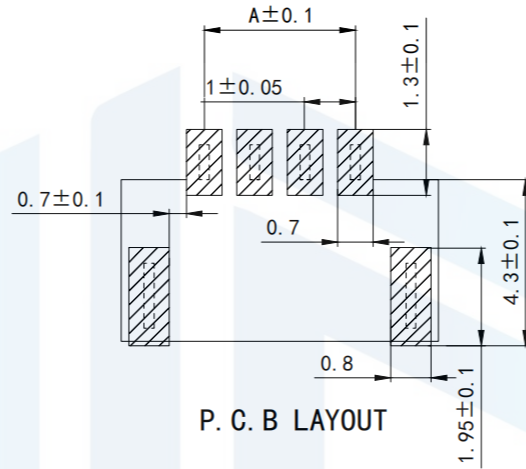
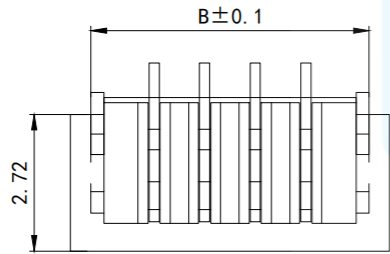
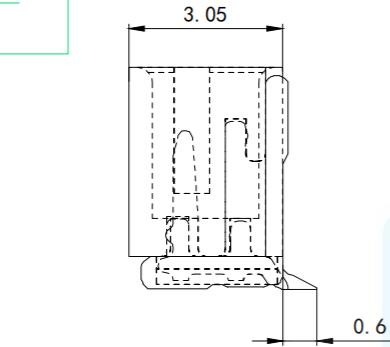
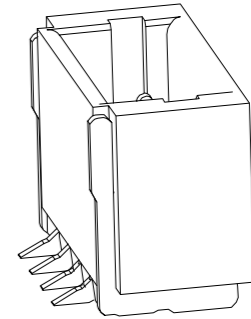
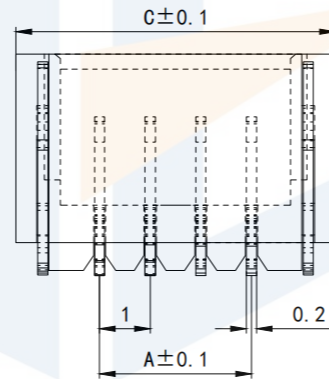


RoHS2.0  
Compliant



P. C. B LAYOUT



孔数	型号	尺寸 ( mm )		
		A	B	C
2	1.0-2ALT	1.0	3.5	4.3
3	1.0-3ALT	2.0	4.5	5.3
4	1.0-4ALT	3.0	5.5	6.3
5	1.0-5ALT	4.0	6.5	7.3
...	.....	...	...	...
16	1.0-16ALT	15.0	17.5	18.3

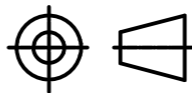
Specifications:

1. Current rating: 0.5A
2. Voltage rating: 50V AC, DC
3. Insulation Resistance: 1000M Min.
4. Dielectric Withstanding: 500V AC 1Minne
5. Contact Resistance: 20m2 Max.
6. Operating Temperature: -25'C to +85C
7. Materials: Contact Material: Bronze (Sn plating)
8. Soldering Terminal: Bronze (Sn plating)
9. Insulation Material: LCP UL94V-0

TOLERANCE

X. XXX	±0.05
X. XX	±0.15
X. X	±0.20
X.	±0.30
ANGLE	±5.0°

PROTECTON



东莞市恒祺电子科技有限公司

Dongguan Hengqi Electronic Technology Co., Ltd

<https://www.hq-dz.com>

phone: 15812872448

TITLE:

针座

PART NO: SH-1.0立贴-XXX

DRAWING NO: 2\*1.0\*针位

DRAWN:

DATE:

18-10-08

UNIT:  
mm

CHECKED:

DATE:

18-10-08

SCALE:  
FULL

APPROVED:

DATE:

18-10-08

SIZE:  
A4