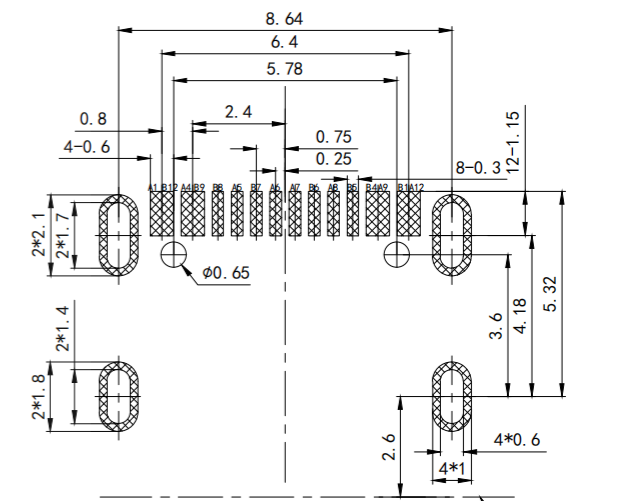
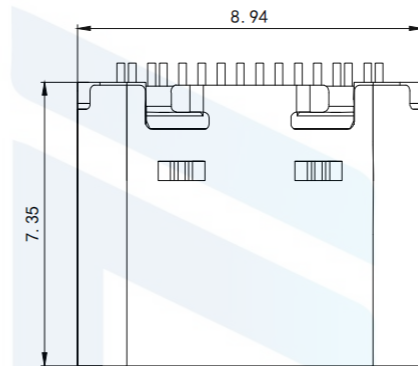
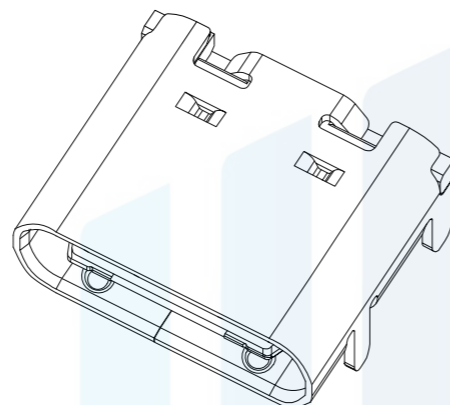
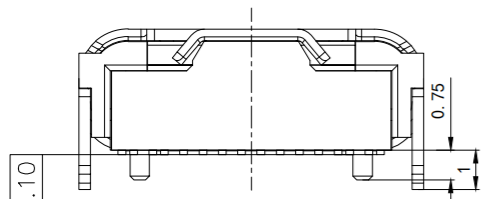
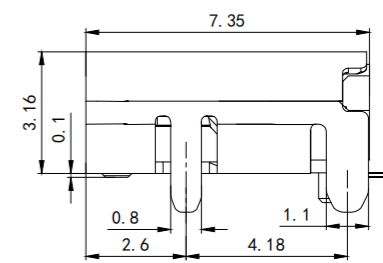
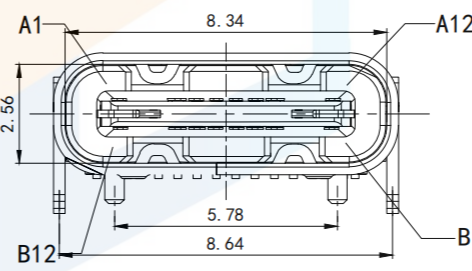
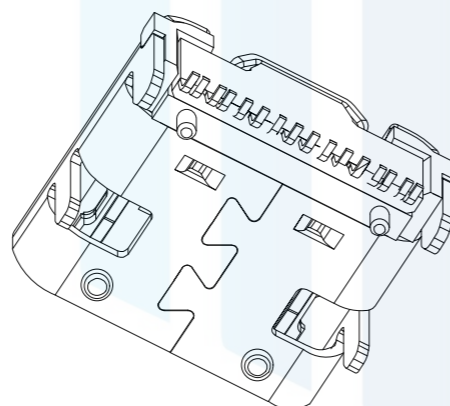
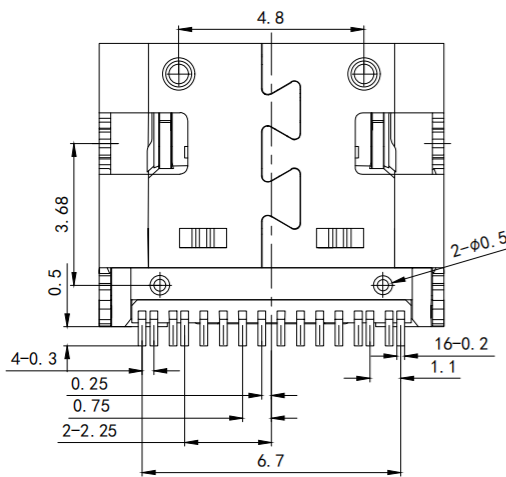


RoHS2.0
Compliant



RECOMMENDED P. C. B LAYOUT
TOLERANCE UNSPECIFIED $\pm 0.05\text{MM}$



- NOTES: SPECIFICATION:
1. CURRENT RATING: 3A MAX
 2. VOLTAGE: 100 VAC
 3. TEMPERATURE RANGE: $-30^{\circ}\text{C} \sim 85^{\circ}\text{C}$
 4. CONTACT RESISTANCE: 40 MILLIONHM MAX
 5. INSULATION RESISTANCE: 100 MEGOHMS MIN
 6. INSERTION FORCE: $5\text{N} \sim 20\text{N}$
 7. UNMATING FORCE: $8\text{N} \sim 20\text{N}$
 8. DURABILITY: 10,000 CYCLES

TOLERANCE			东莞市恒祺电子科技有限公司		
X. XXX	± 0.05		Dongguan Hengqi Electronic Technology Co., Ltd		
X. XX	± 0.15	https://www.hq-dz.com		phone: 15812872448	
X. X	± 0.20	TITLE:		PART NO: TYPE-C16P-BS073	
X.	± 0.30	TYPE C 16P板上端子SMT		DRAWING NO: 8.94*7.35*3.16	
ANGLE	$\pm 5.0^{\circ}$	4定位脚插板L=7.35			
PROTECTON		DRAWN:	DATE:	18-10-08	UNIT: mm
		CHECKED:	DATE:	18-10-08	SCALE: FULL
		APPROVED:	DATE:	18-10-08	SIZE: A4