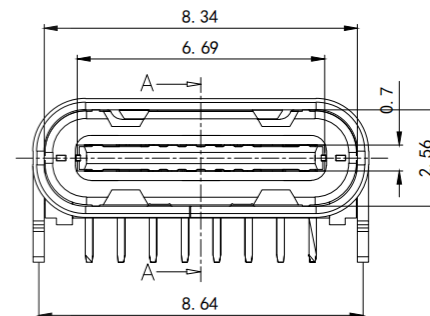
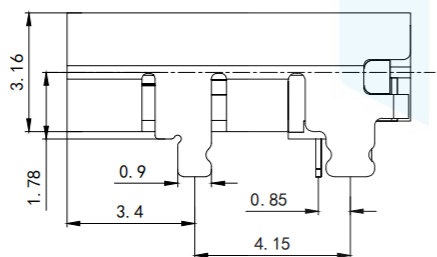
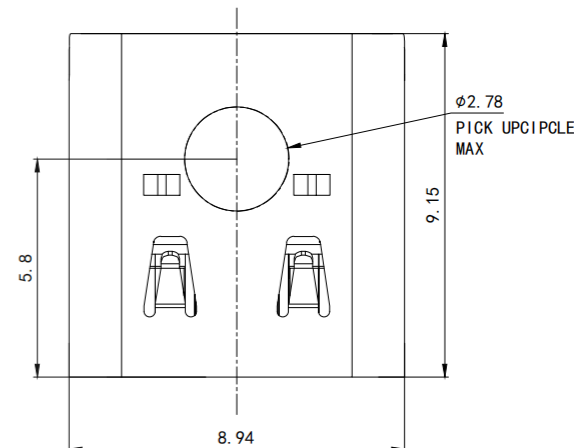
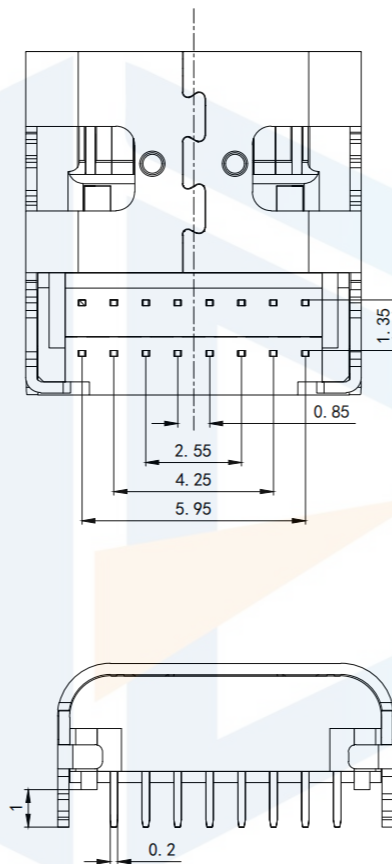
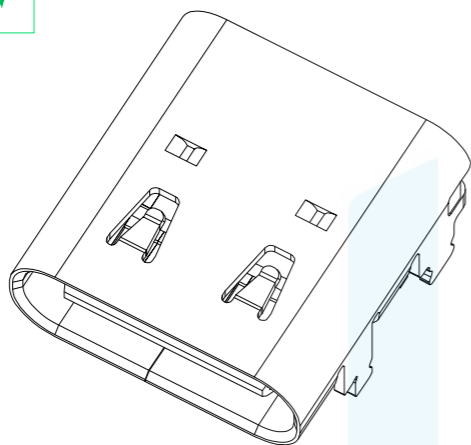


RoHS2.0
Compliant



NOTES:

1. MATERIAL:

MOLDING: LCP UL94 V-0

CONTACT: COPPER ALLOY. GOLD PLATED Min ON

CONTACT AREA, 100U' Min TIN (LEAD FREE) ON SOLDER

AREA, SHELL: SUS304-H, T=0.30+0.03mm 50u" NICKEL

PLATING OVER ALL. MIDDLE

SHILD: SUS301-H, T=0.15+0.03mm

2. MECHANICAL: INSERTION: 5~20N. EXTRACTION: 8~20N

AFTER TEST DURABILITY: 10000 CYCLES 3. ELECTRICAL:

CURRENT: 5A FOR VBUS; 1.25A FOR GND PIN.

0.25A FOR OTHER. VOLTAGE: 20 VMAX WITHSTANDING

VOLTAGE: 100V AC R. M. S. CONTACT RESISTANCE: 40m Ω

MAX. INSULATION RESISTANCE: 100M Ω

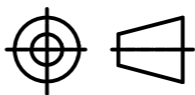
MIN 4. ENVIRONMENTAL

TEMPERATURE RANGE -35C ~ +85'C

TOLERANCE

X. XXX	± 0.05
X. XX	± 0.15
X. X	± 0.20
X.	± 0.30
ANGLE	$\pm 5.0^\circ$

PROTECTON



东莞市恒祺电子科技有限公司

Dongguan Hengqi Electronic Technology Co., Ltd

<https://www.hq-dz.com>

phone: 15812872448

TITLE:

TYPE C 16P板上90度插板

PART NO: TYPE-C16P-BS092

DRAWING NO: 9.15*8.94*3.16

DRAWN:

CHECKED:

APPROVED:

DATE:

DATE:

DATE:

18-10-08

18-10-08

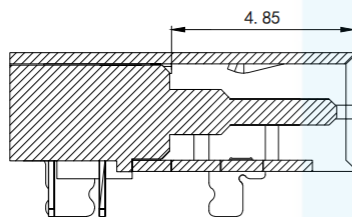
18-10-08

UNIT:
mm

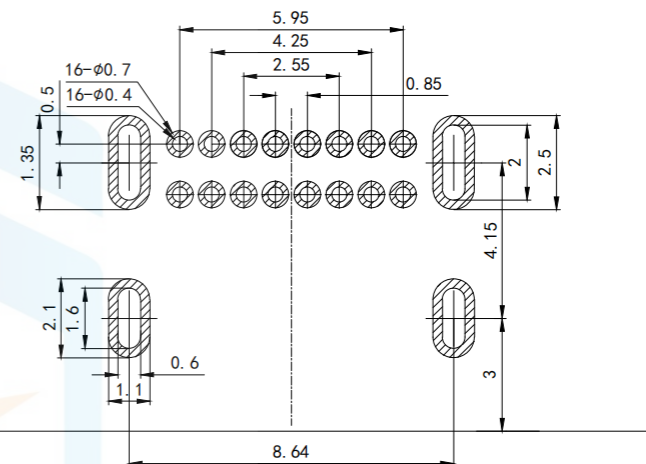
SCALE:
FULL

SIZE:
A4

RoHS2.0
Compliant



SECTION A-A



RECOMMENDED PCB LAYOUT (COMPONENT SIDE)

TOLERANCE UNSPECIFIED $\pm 0.05\text{mm}$
KEEP OUT AREA

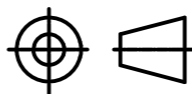
USB TYPE-C PIN ASSIGNMENTS

PIN NUMBER	SIGNAL NAME	PIN NUMBER	SIGNAL NAME
A1	GND	B12	GND
A4	VBUS	B9	VBUS
A5	CC1	B8	SBU2
A6	DN1	B7	DN1
A7	DP1	B6	DP1
A8	SBU1	B5	CC2
A9	VBUS	B4	VBUS
A12	GND	B1	GND

TOLERANCE

X. XXX	± 0.05
X. XX	± 0.15
X. X	± 0.20
X.	± 0.30
ANGLE	$\pm 5.0^\circ$

PROTECTON



东莞市恒祺电子科技有限公司

Dongguan Hengqi Electronic Technology Co., Ltd

<https://www.hq-dz.com>

phone: 15812872448

TITLE:

TYPE C 16P板上90度插板

PART NO: TYPE-C16P-BS092

DRAWING NO: 9.15*8.94*3.16

DRAWN:

DATE: 18-10-08

UNIT: mm

CHECKED:

DATE: 18-10-08

SCALE: FULL

APPROVED:

DATE: 18-10-08

SIZE: A4