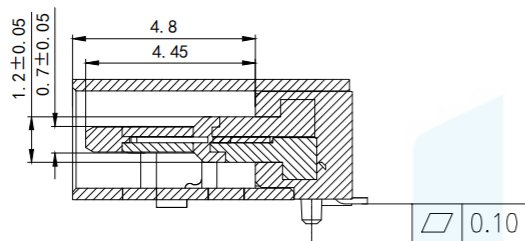
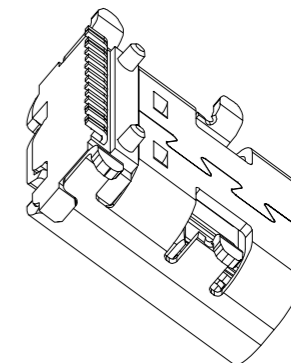
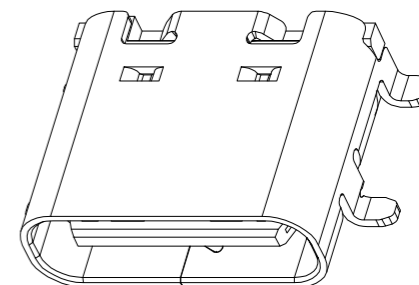
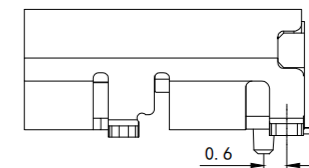
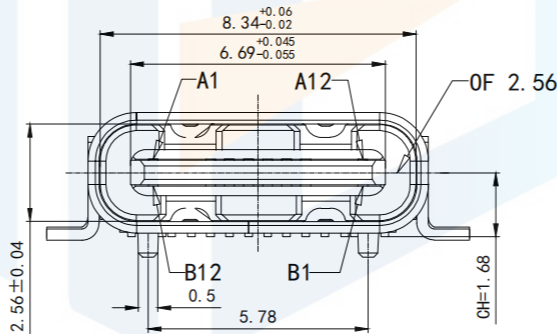
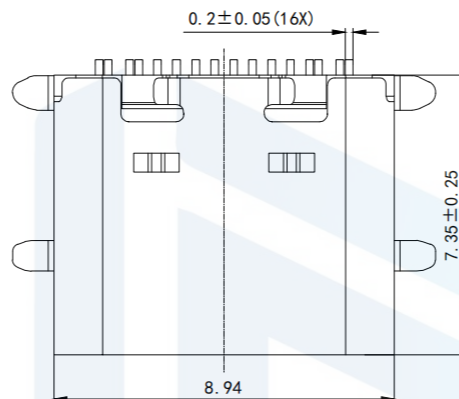
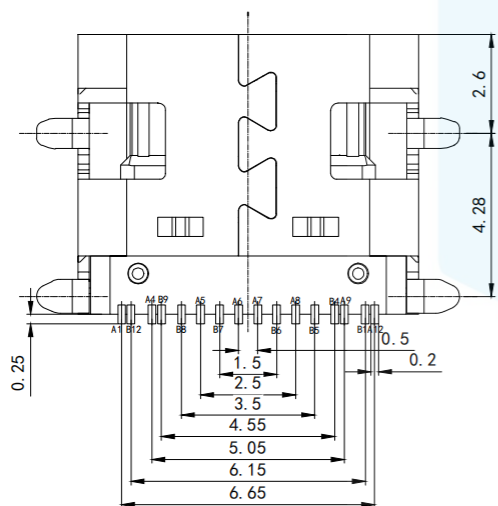


RoHS2.0
Compliant



SECTION: A-A



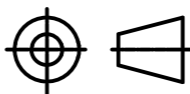
SPECIFICATIONS:

1. ELECTRICAL CHARACTERISTICS:
 - 1-1. CONTACT RESISTANCE: 30m 2MAX.
 - 1-2. DIELECTRIC WITHSTANDING VOLTAGE: 100V AC FOR ONE MINUTE
 - 1-3. INSULATION RESISTANCE: 100M MIN, MEASURED BY 500 VDC
2. MECHANICAL CHARACTERISTICS:
 - 2-1. INSERTION FORCE : 5-20NKREF.)
 - 2-2. WITHDRAWAL FORCE : 5-20N (REF.)
3. LIFE TEST: 10,000 CYCLES.
4. TO CONFORM TO THE KRCONN HAZARDOUS SUBSTANCE FREE SPEC
 - 4-1. CURRENT RATING: 7.0A

TOLERANCE

X. XXX	±0.05
X. XX	±0.15
X. X	±0.20
X.	±0.30
ANGLE	±5.0°

PROTECTON



东莞市恒祺电子科技有限公司

Dongguan Hengqi Electronic Technology Co., Ltd

<https://www.hq-dz.com>

phone: 15812872448

TITLE:

TYPE C 16P板上全贴片L=7.35

PART NO: TYPE-C16P-BS014

DRAWING NO: 8.94*7.35*3.16

DRAWN:

CHECKED:

APPROVED:

DATE:

DATE:

DATE:

18-10-08

18-10-08

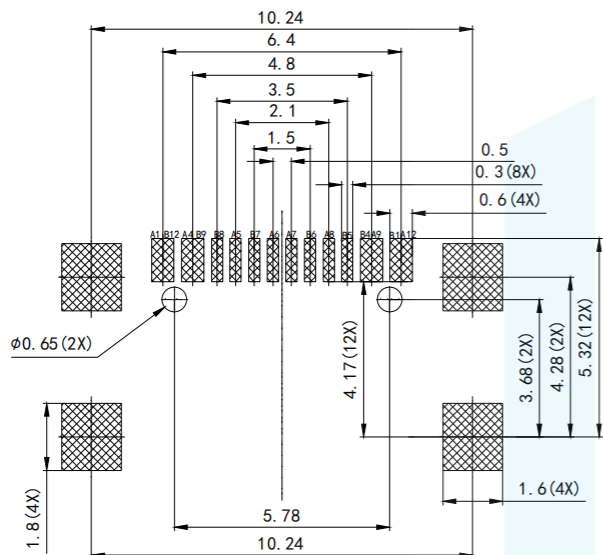
18-10-08

UNIT:
mm

SCALE:
FULL

SIZE:
A4

RoHS2.0
Compliant



RECOMMENDED PCB LAYOUT (TOP VIEW)
THICKNESS 0.8MM DEFAULT TOLERANCE $\pm 0.05\text{mm}$

USB TYPE-C PIN ASSIGNMENTS

PIN NUMBER	SIGNAL NAME	PIN NUMBER	SIGNAL NAME
A1	GND	B12	GND
A4	VBUS	B9	VBUS
A5	CC1	B8	SBU2
A6	DN1	B7	DN1
A7	DP1	B6	DP1
A8	SBU1	B5	CC2
A9	VBUS	B4	VBUS
A12	GND	B1	GND

NOTE:

1. MATERIAL SPECIFICATION:

- HOUSING: HIGH TEMPERATURE RESISTANT PLASTIC, LCP 橙色 UL94 V-0.
- CONTACTS: C18400
- MID PLATE: STAINLESS STEEL SUS301
- FRONT SHELL: STAINLESS STEEL SUS304

2. PLATING SPECIFICATION:

- CONTACTS:
Ni 40u" MIN. UNDER PLATED OVER ALL.
AU 30u" PLATED ON THE FUNCTIONAL AREA OF CONTACT
PLATING SPECIFICATIONS OF THE SOLDER AREA FOLLOW
- FRONT SHELL:
Ni 30u" MIN. UNDER PLATED OVER ALL.
- SHIELD PLATE&EMI PLATE:
CLEAR ONLY

3. ELECTRICAL PERFORMANCE

- LLCR:
VBUS & GND PINS AND OTHER PINS: 40m2/PIN MAXSHIELD: 50m2/MAX.
LLCR MAX: CHANGE OF ALL PINS: 10m2.
- INSULATION RESISTANCE: 100M2MIN
- DIELECTRIC WITHSTAND VOLTAGE, AC 100V FOR 1 MINUTE

4. ENVIRONMENTAL PERFORMANCE:

OPERATING TEMPERATURE: $-25^{\circ}\text{C} \sim +85^{\circ}\text{C}$

5. IR REFLOW:

THE PEAK TEMPERATURE ON THE BOARD SHALL
BE MAINTAINED FOR 10 SECONDS AT 260°C .

TOLERANCE

X. XXX	± 0.05
X. XX	± 0.15
X. X	± 0.20
X.	± 0.30
ANGLE	$\pm 5.0^{\circ}$



东莞市恒祺电子科技有限公司
Dongguan Hengqi Electronic Technology Co., Ltd

<https://www.hq-dz.com>

phone: 15812872448

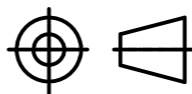
TITLE:

TYPE C 16P板上全贴片L=7.35

PART NO: TYPE-C16P-BS014

DRAWING NO: 8.94*7.35*3.16

PROTECTON



DRAWN:

CHECKED:

APPROVED:

DATE:

DATE:

DATE:

18-10-08

18-10-08

18-10-08

UNIT:
mm

SCALE:
FULL

SIZE:
A4