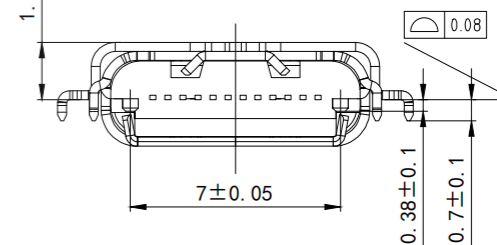
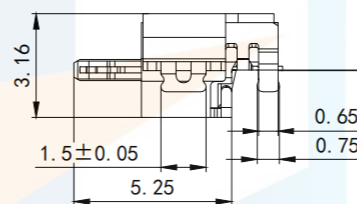
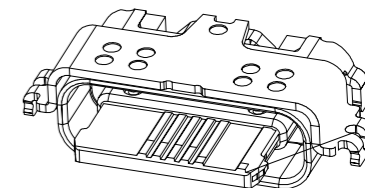
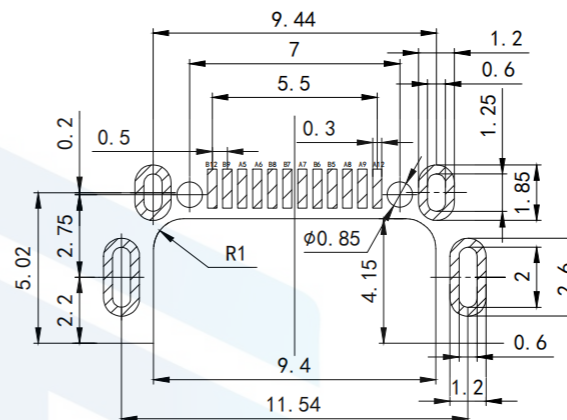
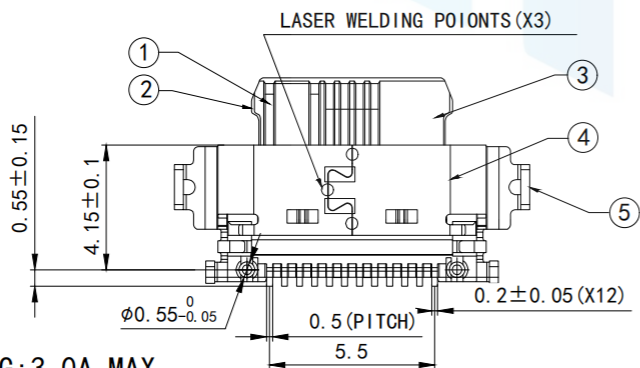
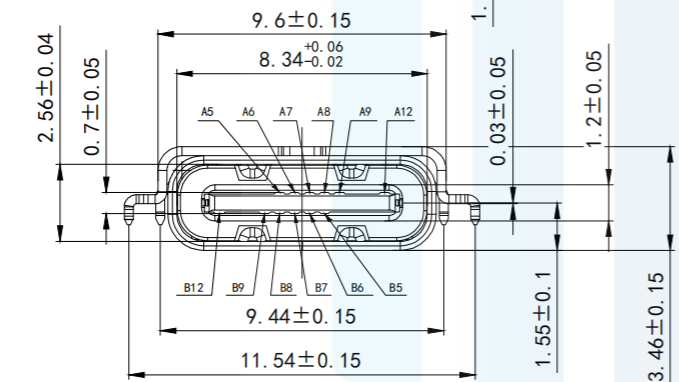
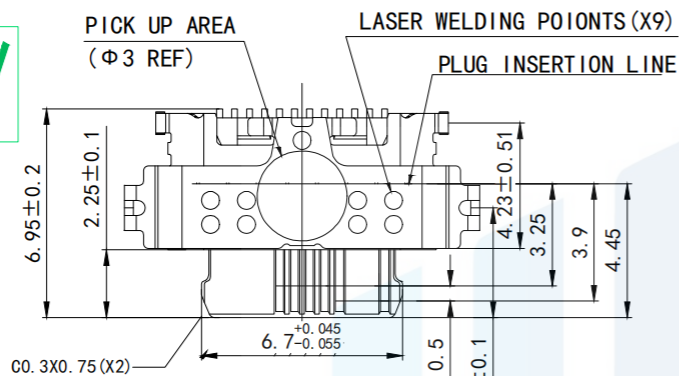


RoHS2.0  
Compliant



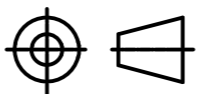
NOTES:

1. CURRENT RATING: 3.0A MAX
2. VOLTAGE: 100V AC
3. TEMPERATURE RANGE: -40°C ~ 85°C:
4. CONTACT RESISTANCE: 40 MILLIONHM MAX.
5. INSULATION RESISTANCE: 100MΩ OHMS MIN
6. INSERTION FORCE: 5N ~ 20N
7. MATING FORCE: 8N ~ 20N
8. DURABILITY: 10,000 CYCLES

TOLERANCE

X. XXX	±0.05
X. XX	±0.15
X. X	±0.20
X.	±0.30
ANGLE	±5.0°

PROTECTON



东莞市恒祺电子科技有限公司

Dongguan Hengqi Electronic Technology Co., Ltd

<https://www.hq-dz.com>

phone: 15812872448

TITLE:

TYPE C 12PIN 板上1.91舌片外露2.25

PART NO: TYPE-C12P-BS048

DRAWING NO: 11.54\*6.95\*3.16

DRAWN:

CHECKED:

APPROVED:

DATE:

DATE:

DATE:

18-10-08

18-10-08

18-10-08

UNIT:  
mm

SCALE:  
FULL

SIZE:  
A4