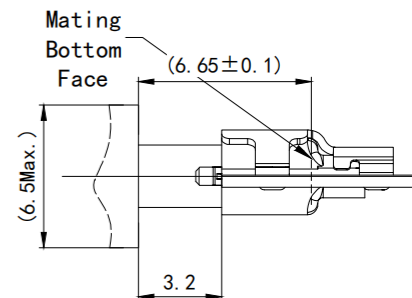
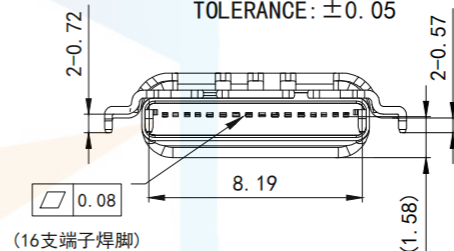
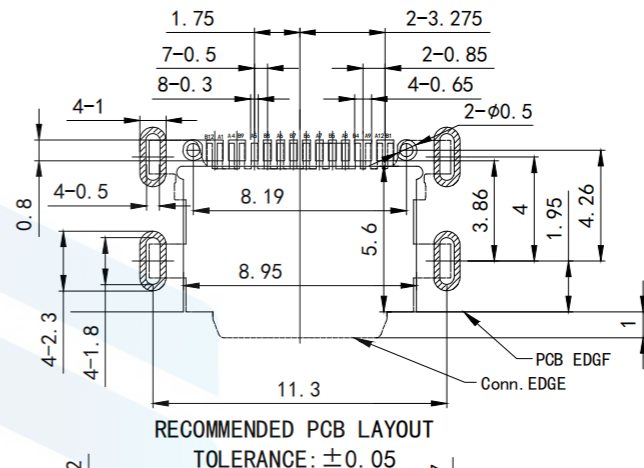
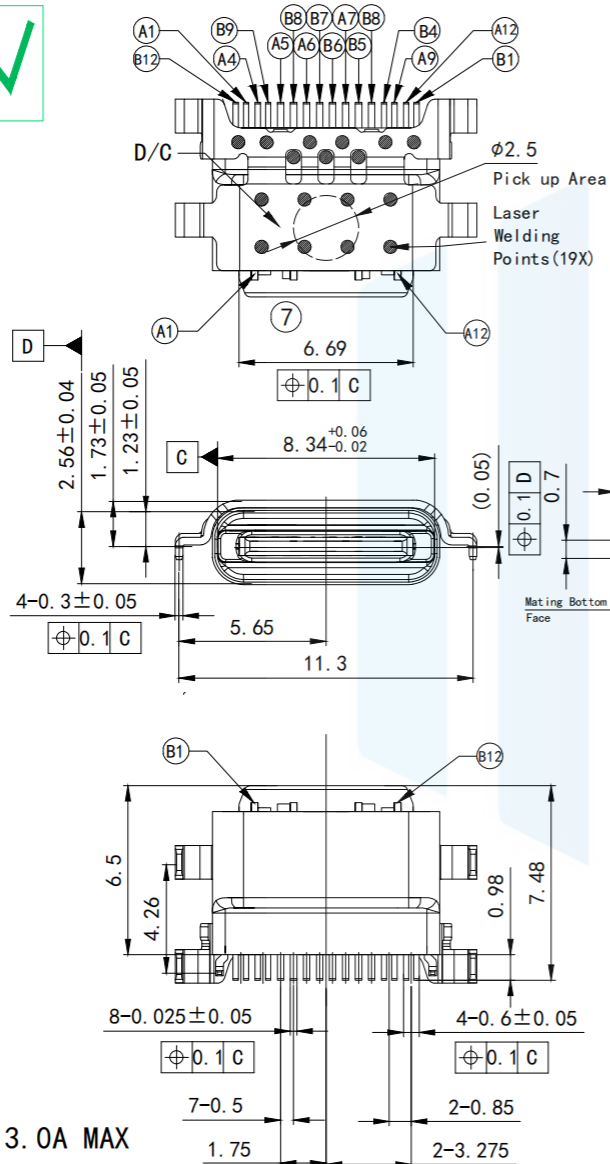


RoHS2.0
Compliant



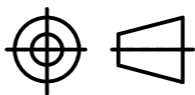
NOTES:

1. CURRENT RATING: 3.0A MAX
2. VOLTAGE: 100V AC
3. TEMPERATURE RANGE: -30°C ~ 85°C:
4. CONTACT RESISTANCE: 40 MILLIONHM MAX.
5. INSULATION RESISTANCE: 100M MEFOHMS MIN. 00N
6. INSERTION FORCE: 5N ~ 20N
7. NMATING FORCE: 8N ~ 20N
8. DURABILITY: 10,000 CYCLES.

TOLERANCE

| | |
|--------|-------|
| X. XXX | ±0.05 |
| X. XX | ±0.15 |
| X. X | ±0.20 |
| X. | ±0.30 |
| ANGLE | ±5.0° |

PROTECTON



东莞市恒祺电子科技有限公司
Dongguan Hengqi Electronic Technology Co., Ltd

<https://www.hq-dz.com>

phone: 15812872448

TITLE:

TYPE C 16PIN沉板1.58 MI8L
舌头外露1.0

PART NO: TYPE-C16P-CBM18

DRAWING NO: 11.3*7.48*3.26

DRAWN:

CHECKED:

APPROVED:

DATE:

DATE:

DATE:

18-10-08

18-10-08

18-10-08

UNIT:
mm

SCALE:
FULL

SIZE:
A4