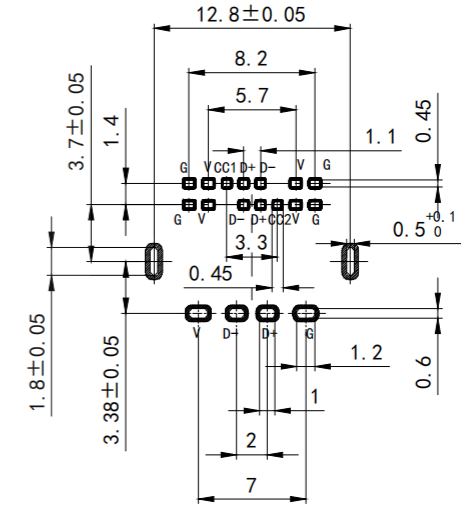
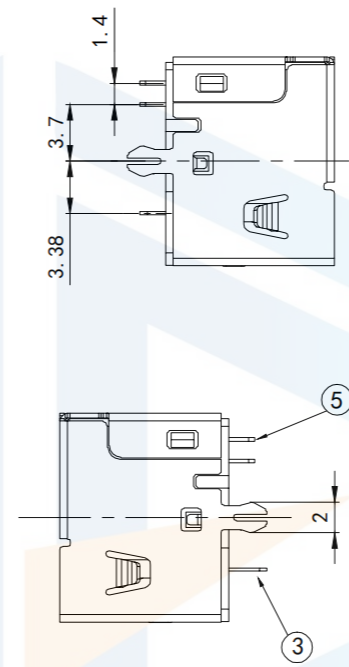
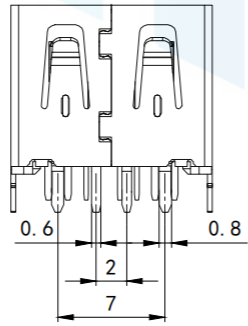
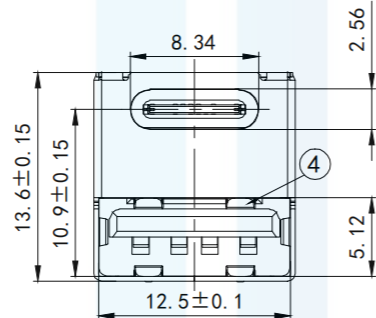
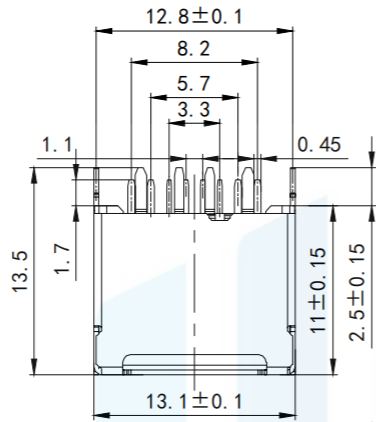


RoHS2.0
Compliant



Recommended PCB LAYOUT
TOLANCE: ±0.05

PIN DEFINITION
FRONT VIEW

A12	A11	A10	A9	A8	A7	A6	A5	A4	A3	A2	A1
CND	/	/	VBus	/	D-	D+	CC	VBus	/	/	CND
CND	/	/	VBus	Vconn				VBus	/	/	CND
B1	B2	B3	B4	B5	B6	B7	B8	B9	B10	B11	B12

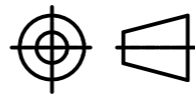
NOTES

- Mechanical properties:
 - 1.1 Insertion force: 5~20N.
 - 1.2 Pull-out force: 5~20N
 - 1.3 ATTACHMENT LIFE: 1000 CYCLES.
- Electrical Properties:
 - 2.1 Rated current: 5A MAX
 - 2.2 Rated voltage: 30V MAX
 - 2.3 Attached voltage: 100V AC.
 - 2.4 Contact impedance: 40mQ MAX (Initial), 50mR MAX (after 5,000 tests),
 - 2.5 INSULATION RESISTANCE: 100MS MIN.
- Environment:
 - 3.1 Temperature range: -30° C~ +85° C
 - 3.2 SALT SPRAY: 24H

TOLERANCE

X. XXX	±0.05
X. XX	±0.15
X. X	±0.20
X.	±0.30
ANGLE	±5.0°

PROTECTON



东莞市恒祺电子科技有限公司
Dongguan Hengqi Electronic Technology Co., Ltd

<https://www.hq-dz.com>

phone:15812872448

TITLE:

USB TYPE C板上180度A+C

PART NO:TYPE-C+A-BS109

DRAWING NO:13.5*13.1*13.6

DRAWN:

DATE:

18-10-08

UNIT:
mm

CHECKED:

DATE:

18-10-08

SCALE:
FULL

APPROVED:

DATE:

18-10-08

SIZE:
A4