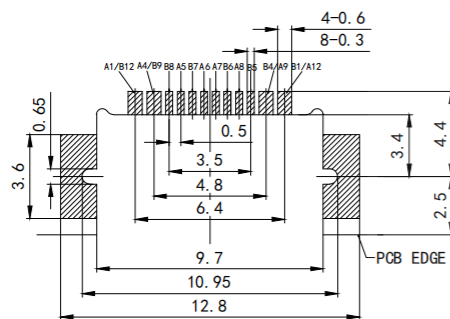
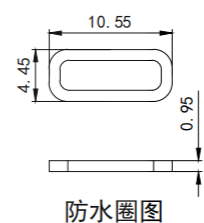
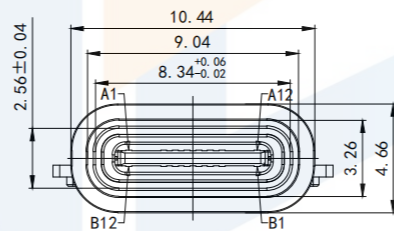
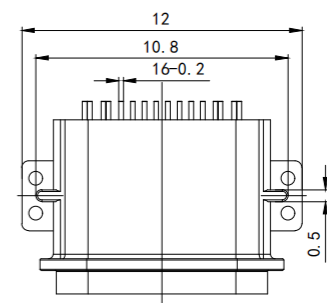
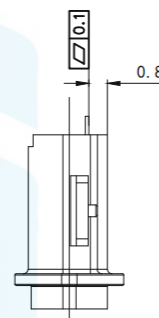
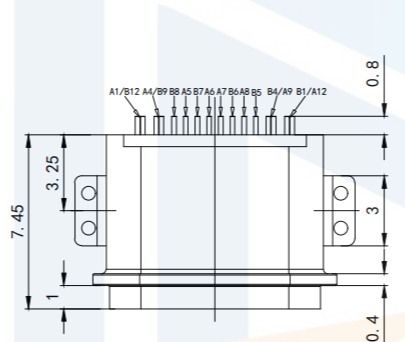
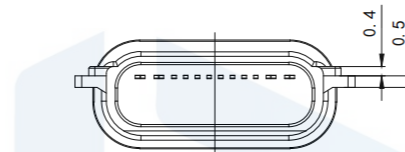


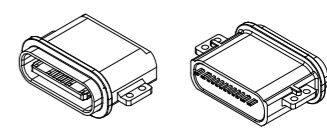
RoHS2.0  
Compliant



RECOMMEND P. C. B LAYOUT  
TOLERANCE UNSPECIFIED  $\pm 0.05$



防水圈图



- NOTES:  
SPECIFICATION:
- CURRENT RATING: 3.0 A
  - VOLTAGE RATING: 3.0 V
  - VBUS & GND PINS AND OTHER PINS: 40mΩ/PIN MAX  
SHIELD: 50mΩ/MAX LLGR MAX. CHANGE OF ALL PINS: 10Ωm
  - INSULATION RESISTANCE: 100MΩ MIN
  - DIELECTRIC WITHSTAND VOLTAGE, AC 100V FOR 1MINUTE
  - INSERTION FORCE: 0.5~2.0kgf
  - UNMATING FORCE: 0.8-2.0kgf
  - DURABILITY: 10000 CYCLES
  - OPERATING TEMPERATURE: -35° C~+85° C
  - THE PEAK TEMPERATURE ON THE BOARD SHALL BE MAINTAINED FOR 10 SECONDS AT 210-230° C
  - WATERPROOF: IP-X7.

|                  |       |   |  |                                  |                    |
|------------------|-------|---|--|----------------------------------|--------------------|
| <b>TOLERANCE</b> |       |   | <b>东莞市恒祺电子科技有限公司</b>                           |                                  |                    |
| X. XXX           | ±0.05 |   | Dongguan Hengqi Electronic Technology Co., Ltd |                                  |                    |
| X. XX            | ±0.15 | <a href="https://www.hq-dz.com">https://www.hq-dz.com</a> |  | phone:15812872448                |                    |
| X. X             | ±0.20 | <b>TITLE:</b>   |  | <b>PART NO:TYPE-C16P-CB745FS</b> |                    |
| X.               | ±0.30 | TYPE C 16P 防水母座沉板0.8<br>L=7.5mm粉末冶金                       |  | <b>DRAWING NO:12*4.66*7.5</b>    |                    |
| ANGLE            | ±5.0° | <b>PROTECTON</b>  |  | <b>DATE: 18-10-08</b>            |                    |
|                  |       | <b>DRAWN:</b>   |  | <b>UNIT:</b><br>mm               |                    |
|                  |       | <b>CHECKED:</b>   |  | <b>SCALE:</b><br>FULL            |                    |
|                  |       | <b>APPROVED:</b>  |  | <b>DATE: 18-10-08</b>            | <b>SIZE:</b><br>A4 |