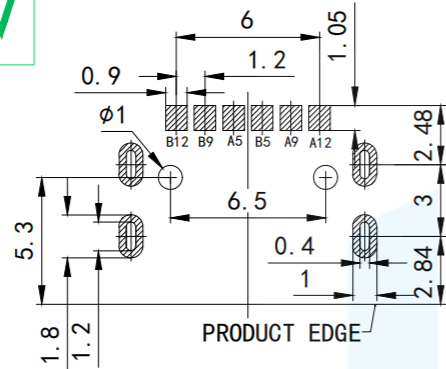
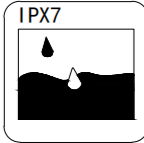


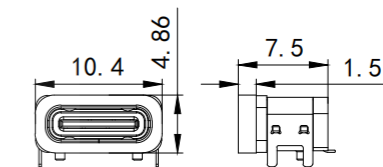
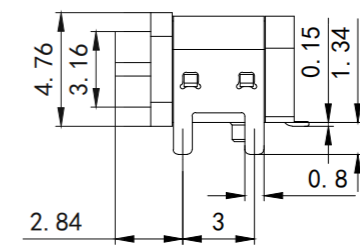
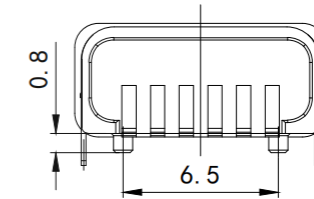
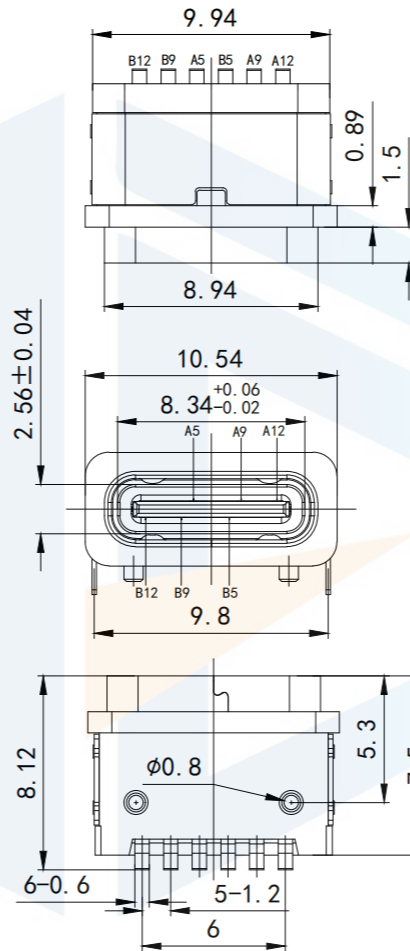
RoHS2.0
Compliant



RECOMMEND P.C.B LAYOUT (COMPONENT SIDE)
TOLERANCE FOR PCB LAYOUT IS ± 0.05

NOTE:

1. Electrical characteristics:
 - 1.1. Contact area: contact resistance 40mΩ Max, allowing 10mΩ variation
Test conditions :20mv, 100mA measurement.
 - 1.2. Contact current: 3A VBUS pin; 1.25A for GND Pin; The other pins are 0.25A.
 - 1.3. Rated voltage: 5V.
 - 1.4. Withstand voltage: 100VAC.
 - 1.5. Insulation resistance: at least 100 megohm.
2. Mechanical properties:
 - 3.1. Insertion force: 0.5-2.0Kg
 - 3.2. Pullout force: 0.6-2.04Kg
 - 3.3. Insertion and removal times: 10000 times.
 4. Weldability: temperature 210-230°C, time 10 seconds
 5. Working environment: -20°C to +85°C.



加防水圈示意图

TOLERANCE			东莞市恒祺电子科技有限公司 Dongguan Hengqi Electronic Technology Co., Ltd		
X. XXX	± 0.05		https://www.hq-dz.com phone:15812872448		
X. XX	± 0.15	TITLE: TYPE C 6P 板上防水母座L=7.5mm 外露1.5外壳4脚插板		PART NO:TYPE-C6P-BS1175FS	
X. X	± 0.20	DRAWING NO:10.54*4.76*7.5			
X.	± 0.30	DRAWN:	DATE:	18-10-08	UNIT: mm
ANGLE	$\pm 5.0^\circ$	CHECKED:	DATE:	18-10-08	SCALE: FULL
PROTECTOR		APPROVED:	DATE:	18-10-08	SIZE: A4