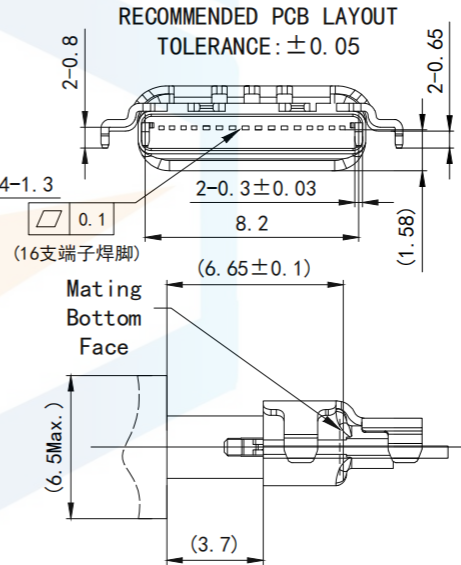
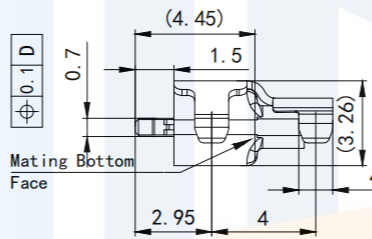
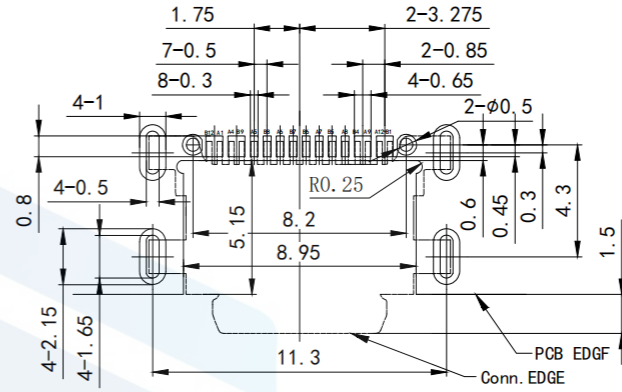
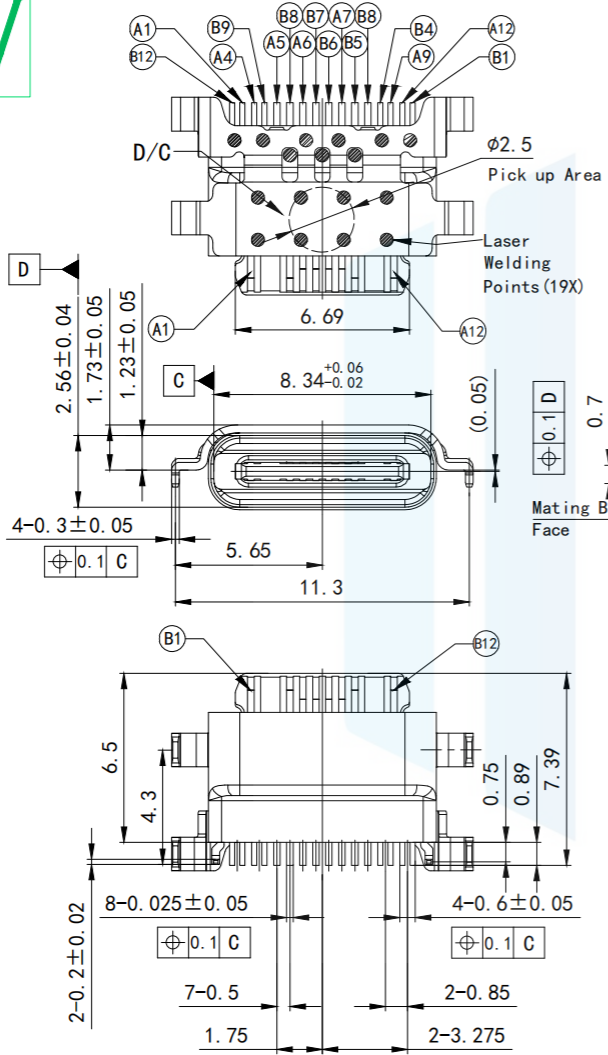


RoHS2.0  
Compliant



Mated Condition (REF)

- NOTES:
1. CURRENT RATING: 3.0A MAX
  2. VOLTAGE: 100V AC
  3. TEMPERATURE RANGE: -30°C ~ 85°C:
  4. CONTACT RESISTANCE: 40 MILLIONHM MAX.
  5. INSULATION RESISTANCE: 100M MEFOHMS MIN. 00N
  6. INSERTION FORCE: 5N ~ 20N
  7. NMATING FORCE: 8N ~ 20N
  8. DURABILITY: 10,000 CYCLES.

TOLERANCE	X. XXX	±0.05	<p>东莞市恒祺电子科技有限公司 Dongguan Hengqi Electronic Technology Co., Ltd</p>	<a href="https://www.hq-dz.com">https://www.hq-dz.com</a>		phone: 15812872448	
	X. XX	±0.15		TITLE: TYPE C 16PIN沉板1.58舌头外露1.5 NOTE7		PART NO: TYPE-C16P-CB159FS	
X. X	±0.20	DRAWING NO: 11.3*7.39*3.26		DATE: 18-10-08		UNIT: mm	
X.	±0.30	DRAWN:		DATE: 18-10-08		SCALE: FULL	
ANGLE	±5.0°	CHECKED:		DATE: 18-10-08		SIZE: A4	
PROTECTON			APPROVED:		DATE: 18-10-08		

