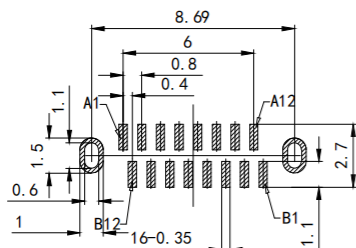
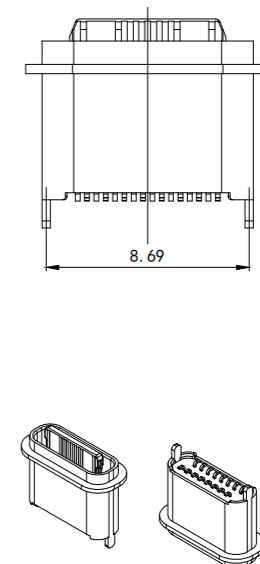
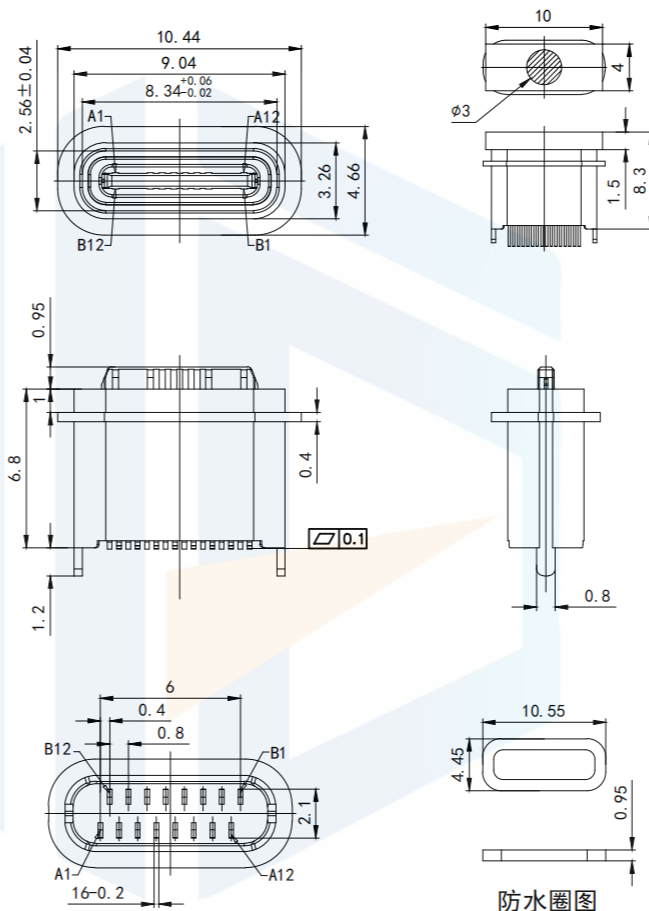


RoHS2.0
Compliant



RECOMMEND P. C. B LAYOUT
TOLERANCE UNSPECIFIED ± 0.05



- NOTES:
SPECIFICATION:
- CURRENT RATING: 3.0 A
 - VOLTAGE RATING: 3.0 V
 - VBUS & GND PINS AND OTHER PINS: 40m Ω /PIN MAX
SHIELD: 50m Ω /MAX LLGR MAX. CHANGE OF ALL PINS: 10 Ω m
 - INSULATION RESISTANCE: 100M Ω MIN
 - DIELECTRIC WITHSTAND VOLTAGE, AC 100V FOR 1MINUTE
 - INSERTION FORCE: 0.5~2.0kgf
 - UNMATING FORCE: 0.8-2.0kgf
 - DURABILITY: 10000 CYCLES
 - OPERATING TEMPERATURE: -35 $^{\circ}$ C~+85 $^{\circ}$ C
 - THE PEAK TEMPERATURE ON THE BOARD SHALL BE MAINTAINED FOR 10 SECONDS AT 210-230 $^{\circ}$ C
 - WATERPROOF: IP-X7.

TOLERANCE	X. XXX	± 0.05		东莞市恒祺电子科技有限公司 Dongguan Hengqi Electronic Technology Co., Ltd		
	X. XX	± 0.15		https://www.hq-dz.com phone:15812872448		
PROTECTON	X. X	± 0.20	TITLE: TYPE C 16P 防水母座立式贴板 L=6.8mm (2定位脚) 粉末冶金	PART NO:TYPE-C16P-LT168FS		
	X.	± 0.30		DRAWING NO:10.44*4.66*6.8		
	ANGLE	$\pm 5.0^{\circ}$	DRAWN:		DATE: 18-10-08	UNIT: mm
			CHECKED:		DATE: 18-10-08	SCALE: FULL
			APPROVED:		DATE: 18-10-08	SIZE: A4