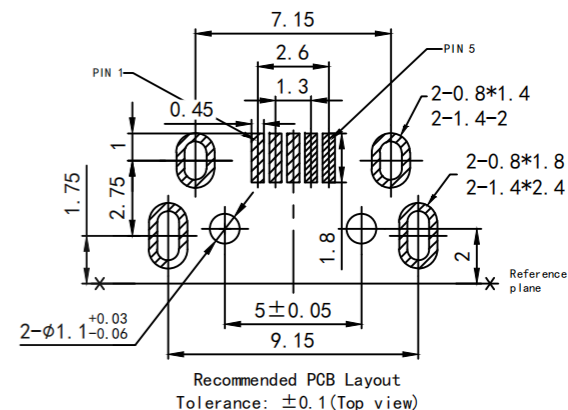
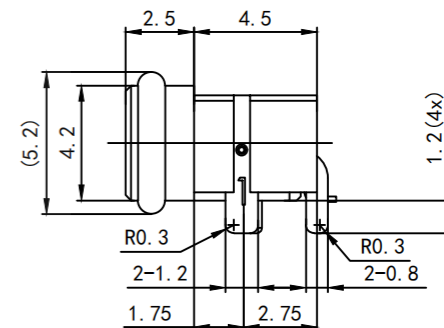
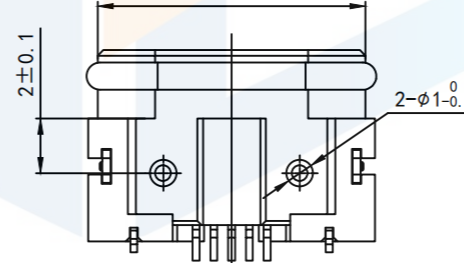
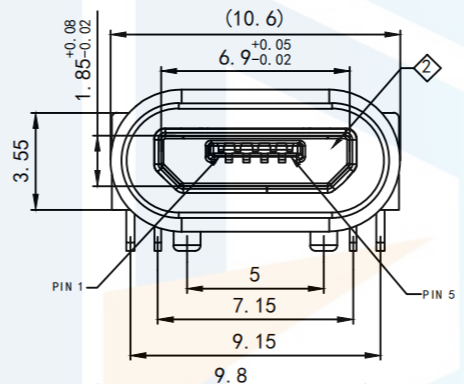
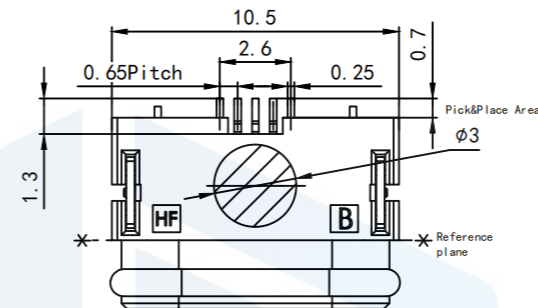
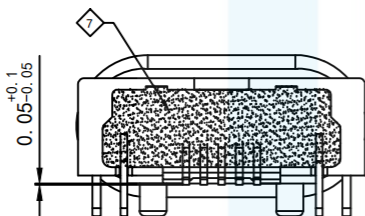
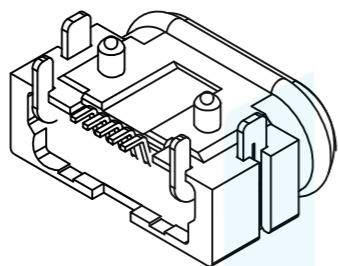
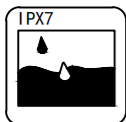


RoHS2.0
Compliant



SPECIFICATIONS:

1. ELECTRICAL CHARACTERISTICS:

- 1-1. RATING: 1.8A (PIN1/5), 0.5A (PIN2/3/4)
- 1-2. CONTACT RESISTANCE: 30m MAX. (INITIAL)
- 1-3. DIELECTRIC WITHSTANDING VOLTAGE: 300V AC FOR ONE MINUTE
- 1-4. INSULATION RESISTANCE: 100M MIN. MEASURED BY 500 VDC

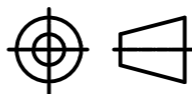
2. MECHANICAL CHARACTERISTICS:

- 2-1. INSERTION FORCE : 3.6 KGF (MAX)
- 2-2. WITHDRAWAL FORCE : 0.8 KGF (Reference)
- 3. DURABILITY: 10,000 CYCLES
- 4. WATER PROOFNESS: THIS PRODUCT IS BASED ON IPX7 (1m, 30min)
- 5. PLUG INTERFACE DIMENSIONS CONFORM TO USB2.0 SPEC.
- 6. OVAL RING
- 6-1. The amount of low molecular siloxanes (D3~D10) is less than 200ppm
- 6-2. Hardness of silicone rubber: 70°
- 6-3. Horizontal flash 0.1max; Longitudinal flash 0.10max
- 7. BODY WITH O-RING'S SEAL AREA BURRS IS 0.05mm Max.
- 8. FOR REFLOW SOLDERING LEAD-FREE PROCESS.
- 9. PACKAGING: TAPE & REEL.

TOLERANCE

X. XXX	±0.05
X. XX	±0.15
X. X	±0.20
X.	±0.30
ANGLE	±5.0°

PROTECTON



东莞市恒祺电子科技有限公司

Dongguan Hengqi Electronic Technology Co., Ltd

<https://www.hq-dz.com>

phone: 15812872448

TITLE:

MICRO 5PIN 防水母座板上型
4脚插板

PART NO: MICRO5P-P185FS

DRAWING NO: 10.5*4.2*7

DRAWN:

CHECKED:

APPROVED:

DATE:

DATE:

DATE:

18-10-08

18-10-08

18-10-08

UNIT:
mm

SCALE:
FULL

SIZE:
A4