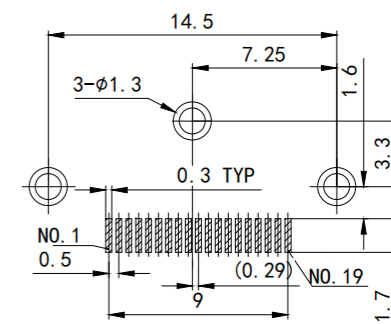
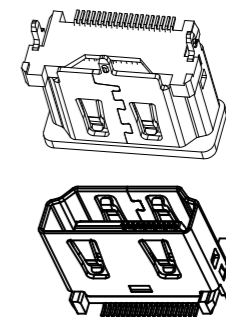
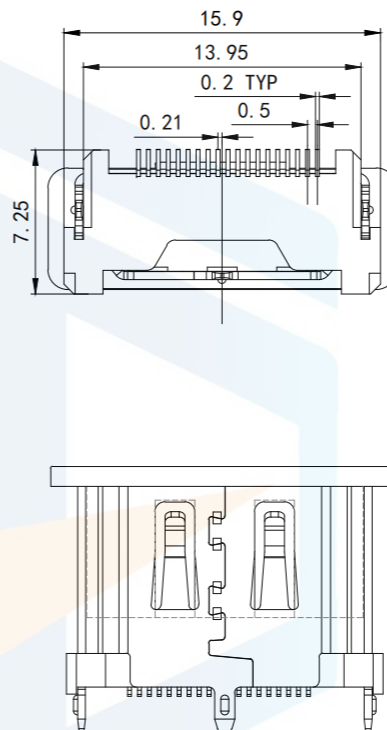
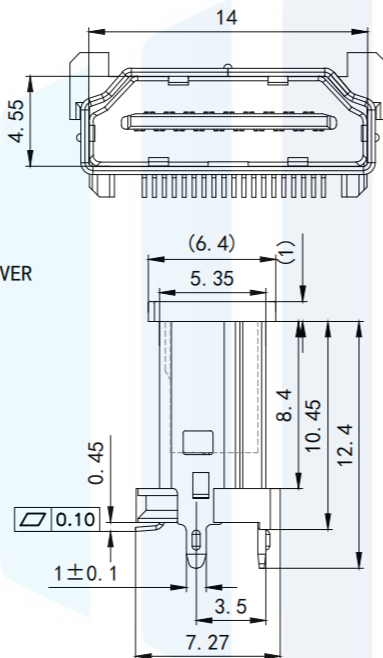
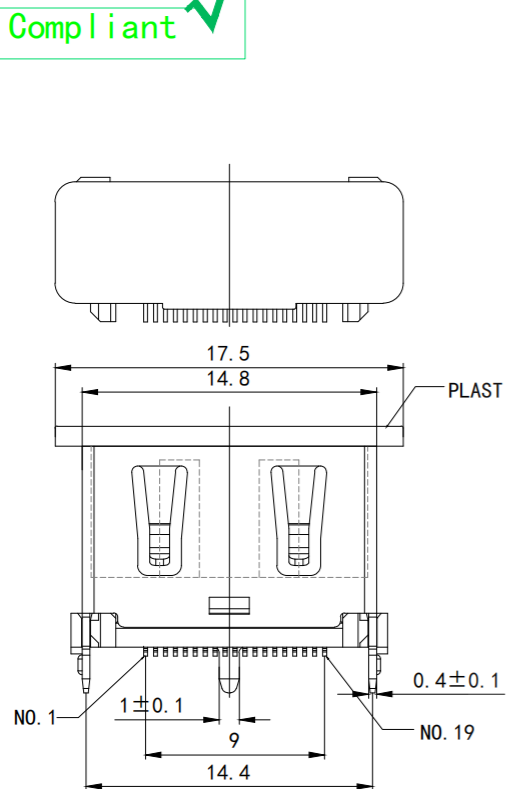


RoHS2.0
Compliant



PCBLAYOUT T=1.6mm
TOLERANCE: ±0.05

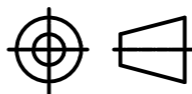
NOTE:

1. MATERIALS AND FINISHED INSULATOR : LCP UL-94V0, COVER:LCP UL-94V0 SHELL : C2680, NI FINISHED CONTACT MATERIAL : C5191 GOLD FINISHED
2. ELECTRICAL CHARACTERISTICS CONTACT CURRENT RATING : 0.5 AMPS CONTACT RESISTANCE : 20 MILLIOHMS MAX. DIELECTRIC WITHSTANDING VOLTAGE : 500 V AC MIN. INSULATION RESISTANCE : 100 MEGAOHMS MIN.
3. MECHANICAL MATING FORCE: 4.5Kgf MAX. UNMATING FORCE: 1.0 Kgf MIN
4. ENVIRONMENTAL TEMPERATURE RATING : -55° C ~ +105° C

TOLERANCE

X. XXX	±0.05
X. XX	±0.15
X. X	±0.20
X.	±0.30
ANGLE	±5.0°

PROTECTON



东莞市恒祺电子科技有限公司

Dongguan Hengqi Electronic Technology Co., Ltd

<https://www.hq-dz.com>

phone: 15812872448

TITLE:

HDMI 19P立贴式H=10.50MM

PART NO: HDMI-DF002

DRAWING NO: 15.9*10.5*5.35

DRAWN:

DATE: 18-10-08

UNIT:
mm

CHECKED:

DATE: 18-10-08

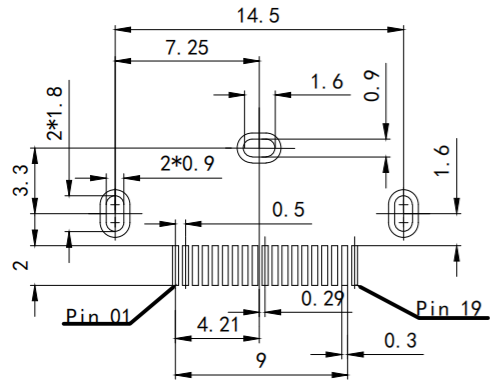
SCALE:
FULL

APPROVED:

DATE: 18-10-08

SIZE:
A4

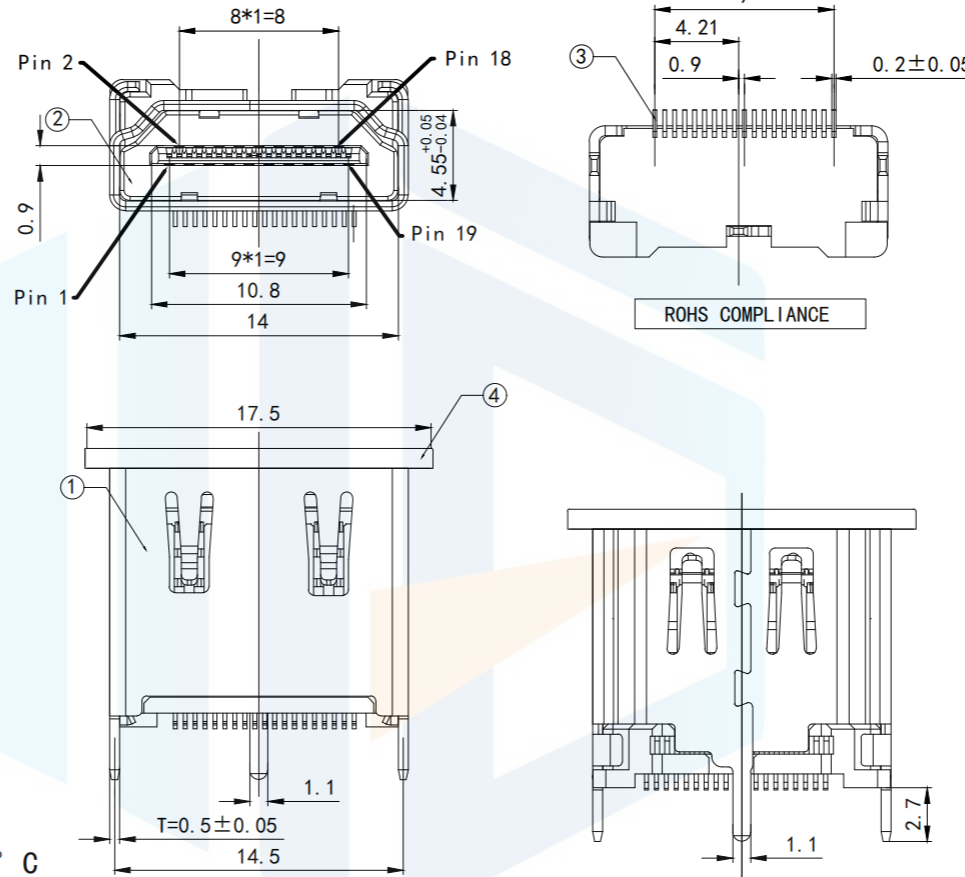
RoHS2.0
Compliant


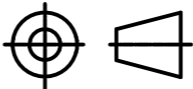


RECOMMENDED P.C.B. LAYOUT (T:1.20~1.60mm)
TOLERANCE UNSPECIFIED ±0.05mm

SPECIFICATIONS

1. OPERATING CURRENT: 0.5A MAX.
2. OPERATION TEMPERATURE: -25° C TO +85° C
3. DIELECTRIC WITHSTANDING VOLTAGE:500Volts AC BETWEEN ADIACENT TERMINAL (UNMATE) 300Volts AC BETWEEN ADIACENT TERMINAL (MATE)
4. INSULATION RESISTANCE:100MohmMIN. (UNMATED) ;10Mohm MIN. (MATED)
5. HDMI SPECIFICATION COMPLIANCE
6. Salt spray test: international standard requirements, temperature 35 ° C, concentration of 5%% salt water, 24H, after washing with clean water, the product has no oxidation and no rust
7. Life test: ≥ 10000 times



TOLERANCE	X. XXX	±0.05	 东莞市恒祺电子科技有限公司 Dongguan Hengqi Electronic Technology Co., Ltd			
	X. XX	±0.15				
PROTECTON	X. X	±0.20	https://www.hq-dz.com phone:15812872448		TITLE: PART NO:HDMI-DF003	
	X.	±0.30			HDMI 19P立贴式H=13.00MM DRAWING NO:15.9*13*5.35	
	ANGLE	±5.0°	DRAWN:	DATE:	18-10-08	UNIT: mm
			CHECKED:	DATE:	18-10-08	SCALE: FULL
			APPROVED:	DATE:	18-10-08	SIZE: A4