

RoHS2.0  
Compliant

Specifications:

Electrical:

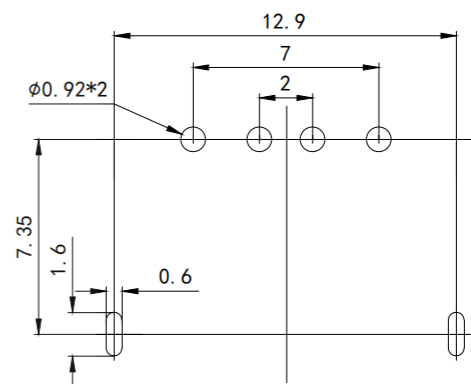
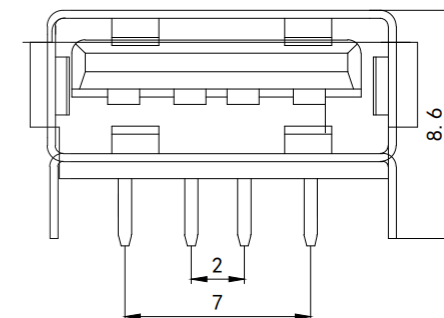
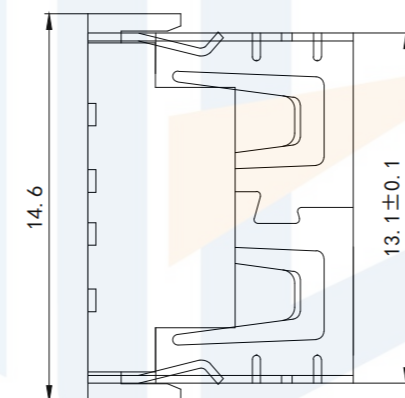
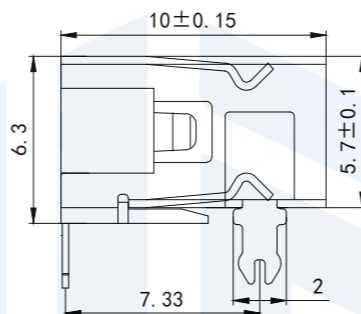
1. Current Rating  
3.0A/contact termina
2. Voltage Rating  
30V DC
3. Contact RESISTANCE  
30 milliohms MAX
4. Dielectric Withstanding Voltage:  
500 V AC AT Sea Level
5. Insulation Resistance:  
1000MEGA ohms MIN

Mechanical:

1. Connector Mate and Unmate Force  
Mate force: 3.57kgf (MAX)  
Unmate force: 1.02kgf (MIN)
2. Terminal Retention  
1.0kgf (MIN)

Material:

1. Housing:  
High Temperature Thermoplastics,
  2. Contact: Copper Alloy C2680
  3. Shell: SPCG
- Finish:
1. Contact: Plated Gold in Mating Area  
Tin On Solder Tails
- 50U(MIN) nickel is plated around the terminal, half gold tin 1U
2. Burning :Shell: 80U "(MIN) nickel is plated around the shell
- Nickel Plating

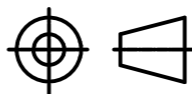


RECOMMENDED P.C.B LAYOUT

TOLERANCE

X. XXX	±0.05
X. XX	±0.15
X. X	±0.20
X.	±0.30
ANGLE	±5.0°

PROTECTON



东莞市恒祺电子科技有限公司

Dongguan Hengqi Electronic Technology Co., Ltd

<https://www.hq-dz.com>

phone: 15812872448

TITLE:

USB A/F短体10.0两脚直边90度

PART NO: USB2.0-A007

DRAWING NO: 13.1\*10.0\*5.7

DRAWN:

DATE:

18-10-08

UNIT:  
mm

CHECKED:

DATE:

18-10-08

SCALE:  
FULL

APPROVED:

DATE:

18-10-08

SIZE:  
A4