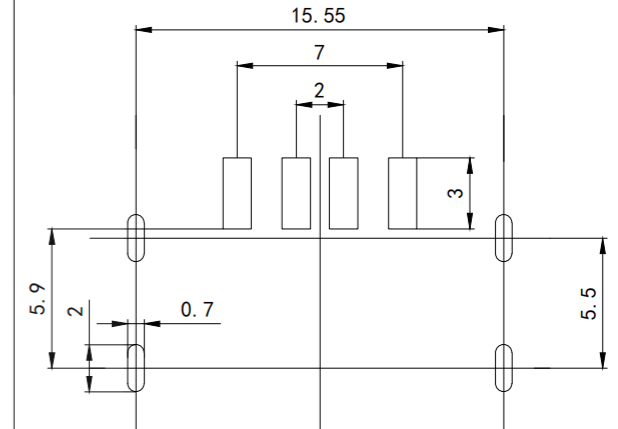
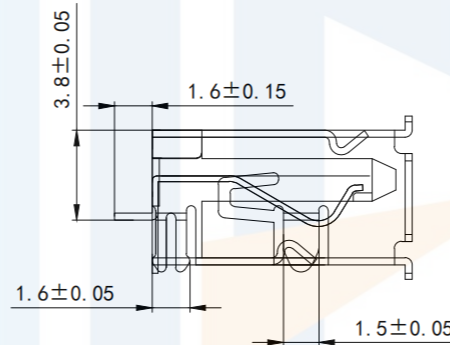
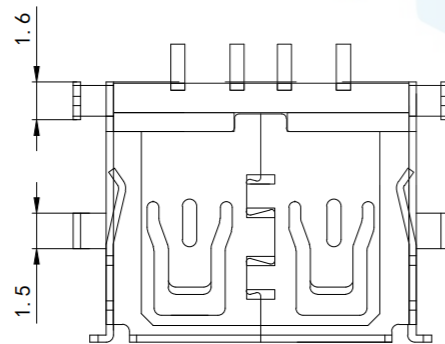
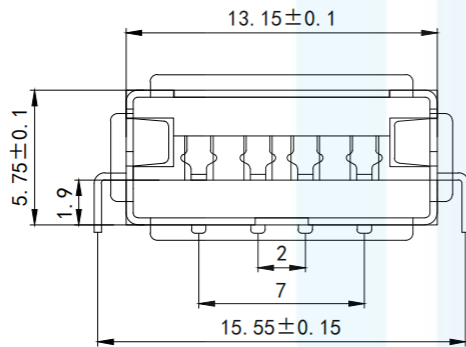
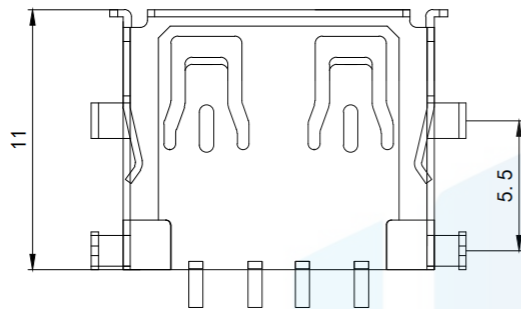


RoHS2.0  
Compliant



RECOMMENDED PCB LAYOUT

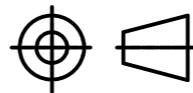
NOTES I

- 1: MATERIAL: BRASS, C2680-H, T=0.3mm,  
OR SPCC, T=0.3mm.
- 2: MATERIAL: LCP E130I BLACK:30% CLASS FIBER:
- 3: MATERIAL: BRASS, C2680-H T=0.25+0.01

TOLERANCE

X. XXX	±0.05
X. XX	±0.15
X. X	±0.20
X.	±0.30
ANGLE	±5.0°

PROTECTON



东莞市恒祺电子科技有限公司  
Dongguan Hengqi Electronic Technology Co., Ltd

<https://www.hq-dz.com>

phone: 15812872448

TITLE:

USB A/F短体沉板1.9卷边

PART NO: USB2.0-A011

DRAWING NO: 13.1\*11.0\*5.75

DRAWN:

CHECKED:

APPROVED:

DATE:

DATE:

DATE:

18-10-08

18-10-08

18-10-08

UNIT:  
mm

SCALE:  
FULL

SIZE:  
A4