

RoHS2.0
Compliant

Specifications:

Electrical:

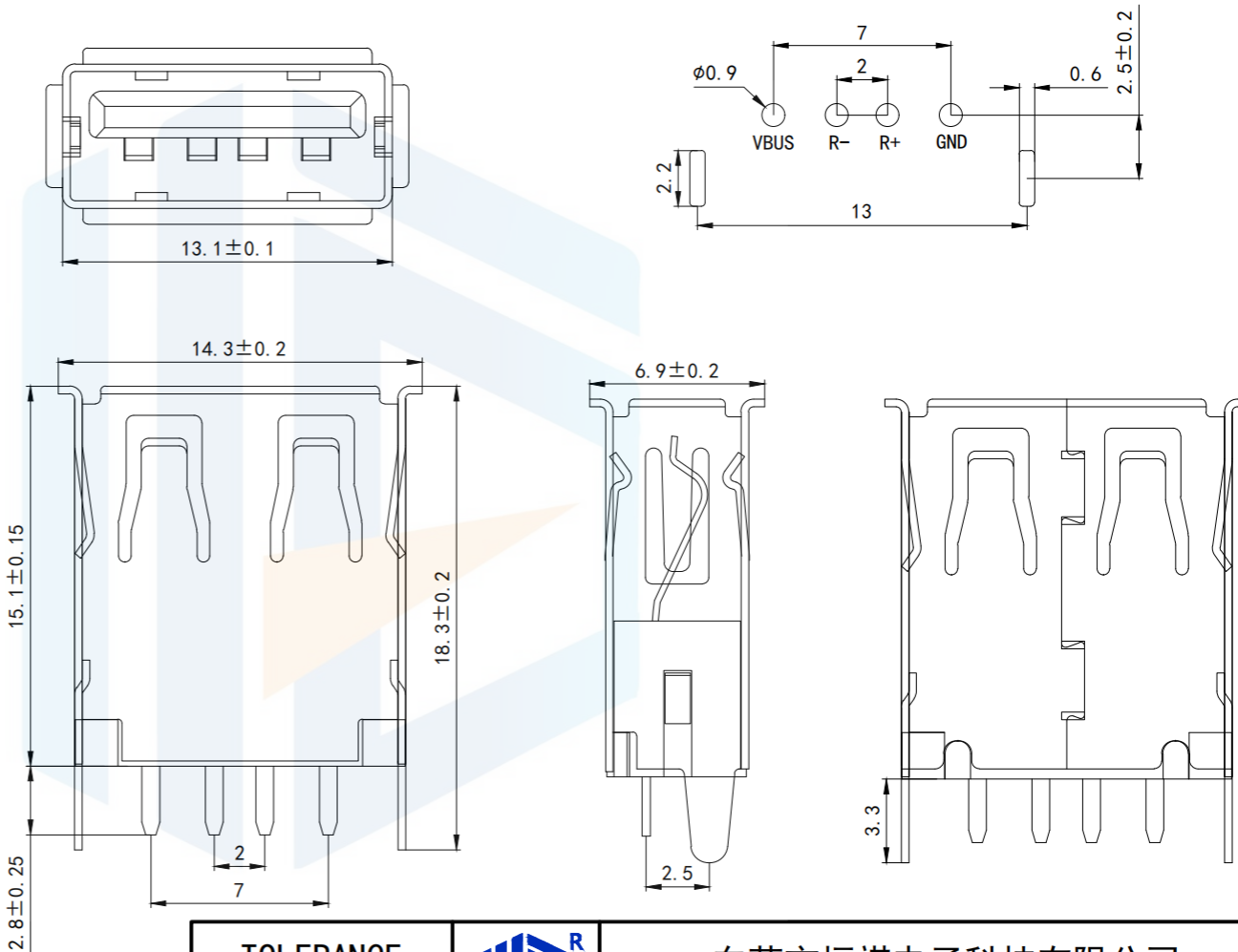
1. Current Rating
3.0A/contact termina
2. Voltage Rating
30V DC
3. Contact RESISTANCE
30 milliohms MAX
4. Dielectric Withstanding Voltage:
500 V AC AT Sea Level
5. Insulation Resistance:
1000MEGA ohms MIN


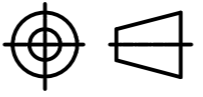
Mechanical:

1. Connector Mate and Unmate Force
Mate force: 3.57kgf (MAX)
Unmate force: 1.02kgf (MIN)
2. Terminal Retention
1.0kgf (MIN)

Material:

1. Housing:
Hing Temperature Ternmaplastics,
 2. Contact: Copper Alloy C2680
 3. Shell: SPCG
- Finish:
1. Contact: Plated Gold in Mating Area
Tin On Solder Talls
- 50U(MIN) nickel is plated around the terminal, half gold tin 1U
2. Burning :Shell: 80U "(MIN) nickel is plated around the shell
- Nickel Plating



TOLERANCE		 <p>东莞市恒祺电子科技有限公司 Dongguan Hengqi Electronic Technology Co., Ltd</p> <p>https://www.hq-dz.com phone: 15812872448</p>					
X. XXX	±0.05						
X. XX	±0.15						
X. X	±0.20						
X.	±0.30						
ANGLE	±5.0°						
PROTECTON		TITLE:		PART NO: USB2.0-A151			
		USB A/F立式插板2定位直脚		DRAWING NO: 14.3*15.1*6.9			
		L=15.1					
		DRAWN:		DATE: 18-10-08		UNIT: mm	
		CHECKED:		DATE: 18-10-08		SCALE: FULL	
		APPROVED:		DATE: 18-10-08		SIZE: A4	