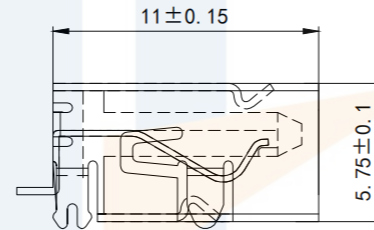
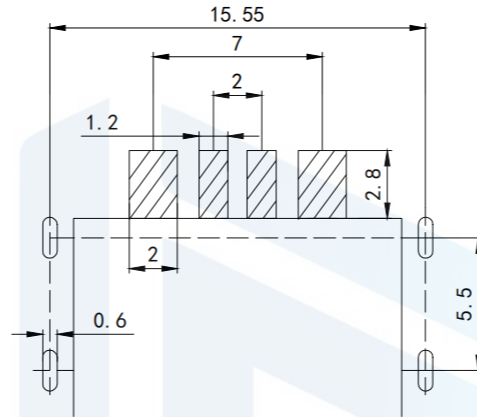
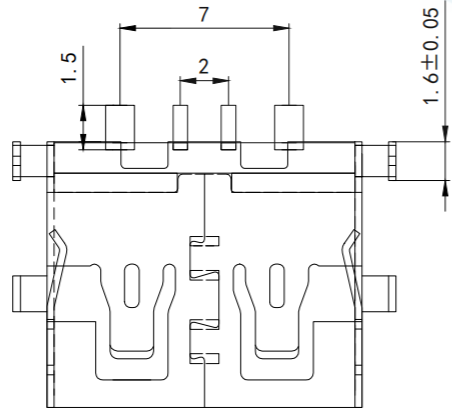
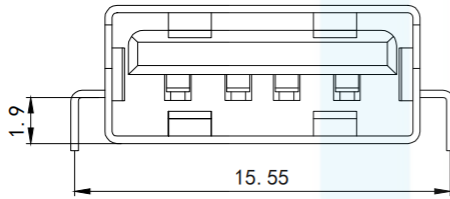
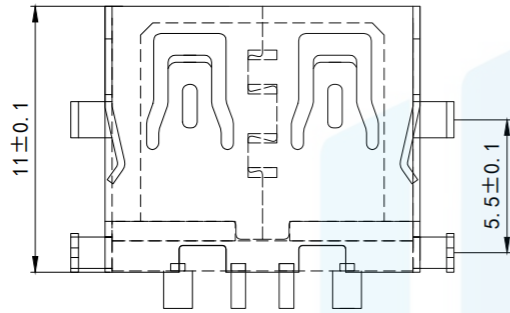


RoHS2.0
Compliant



Specifications:

Electrical:

1. Current Rating
3.0A/contact terminal
2. Weir voltage: Voltage Rating
30V DC
3. Resistance: Contact
30 milliohms MAX
4. Dielectric Withstanding Voltage:
500 VAC AT Sea Level
5. Insulation Resistance: Insulation Resistance:
1000MEGA ohms MIN

Physical Properties: Mechanical:

1. Connector Mate Force and Unmate Force: 3.57kgf (MAX)
Unmate force: 1.02kgf (MIN)
2. Terminal Retention
1.0kgf (MIN)

Raw Materials: Material:

1. Housing: Thermoplastics.
Hing Temperature
2. Good: Contact: Copper Alloy C2680
3. Shell: Copper Alloy C2680/SPCC Plating: Finish:
1. Contact: Plated Gold in Mating Area;
The Tin On Solder Tails
terminals are plated with $\text{O}-50\text{U}''$ (MIN) nickel
bottom around the perimeter and brushed gold 1U'
2. Shell:
The iron case is surrounded by 50-80U (MIN) nickel
plating

TOLERANCE

X. XXX	±0.05
X. XX	±0.15
X. X	±0.20
X.	±0.30
ANGLE	±5.0°



东莞市恒祺电子科技有限公司
Dongguan Hengqi Electronic Technology Co., Ltd

<https://www.hq-dz.com>

phone: 15812872448

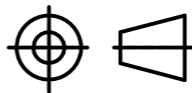
TITLE:

USB A/F 短体母座沉板1.9直边
大电流

PART NO: USB2.0-B011

DRAWING NO: 11*15.55*5.75

PROTECTON



DRAWN:

CHECKED:

APPROVED:

DATE:

DATE:

DATE:

18-10-08

18-10-08

18-10-08

UNIT:
mm

SCALE:
FULL

SIZE:
A4