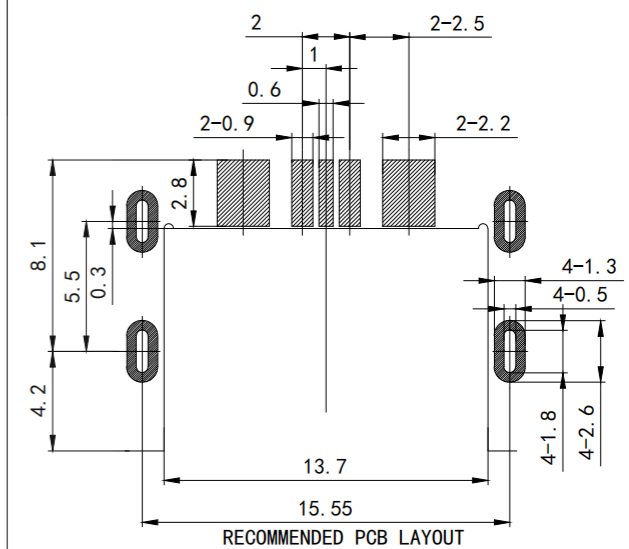
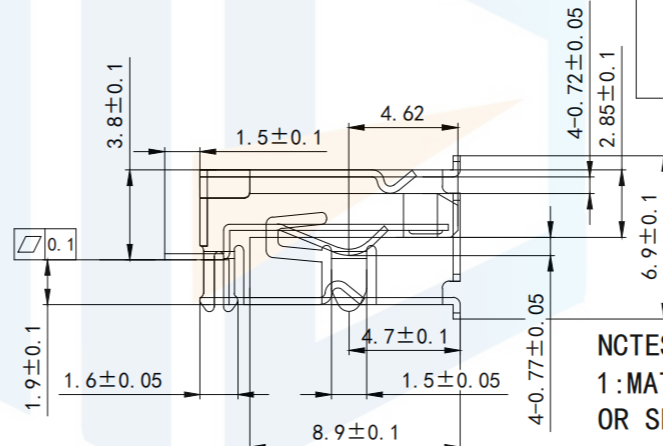
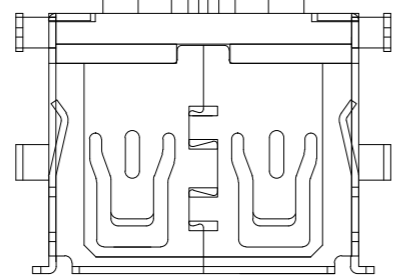
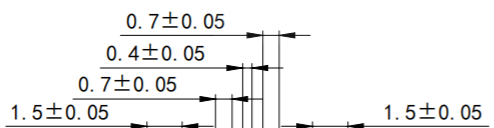
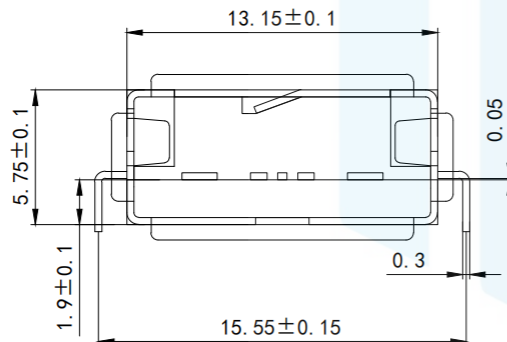
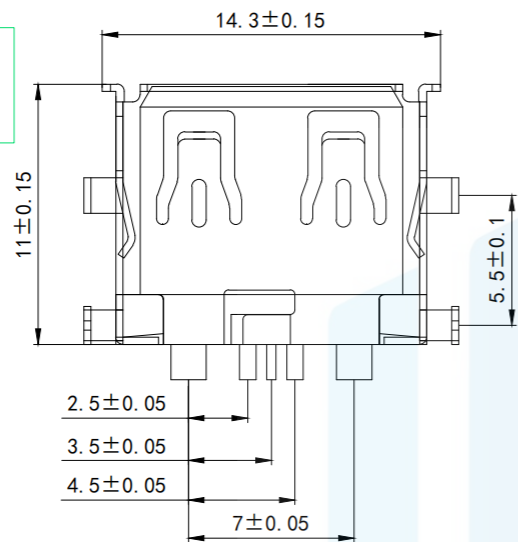


RoHS2.0
Compliant



NCOTES I
 1: MATERIAL: BRASS, C2680-H, T=0.3mm,
 OR SPCC, T=0.3mm.
 2: MATERIAL: LCP E130I BLACK:30% CLASS FIBER:
 3: MATERIAL: BRASS, 7025 T=0.25+0.02

TOLERANCE X. XXX ±0.05 X. XX ±0.15 X. X ±0.20 X. ±0.30 ANGLE ±5.0°		东莞市恒祺电子科技有限公司 Dongguan Hengqi Electronic Technology Co., Ltd		
		https://www.hq-dz.com phone: 15812872448		
PROTECTON 	DRAWN: CHECKED: APPROVED:	TITLE: USB A/F 短体母座沉板1.9卷边 大电流5A		
		PART NO: USB2.0-B011		
		DRAWING NO: 14.3*11*5.7		
		DATE:	18-10-08	UNIT: mm
		DATE:	18-10-08	SCALE: FULL
		DATE:	18-10-08	SIZE: A4