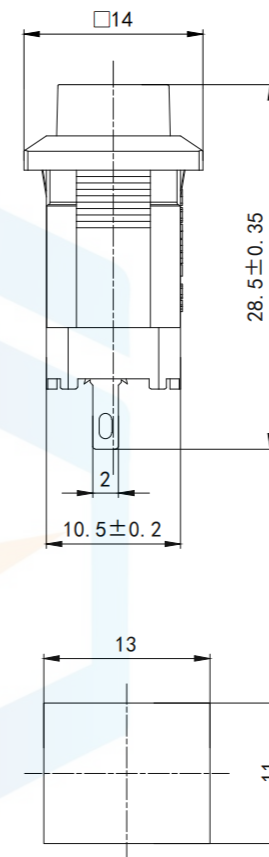
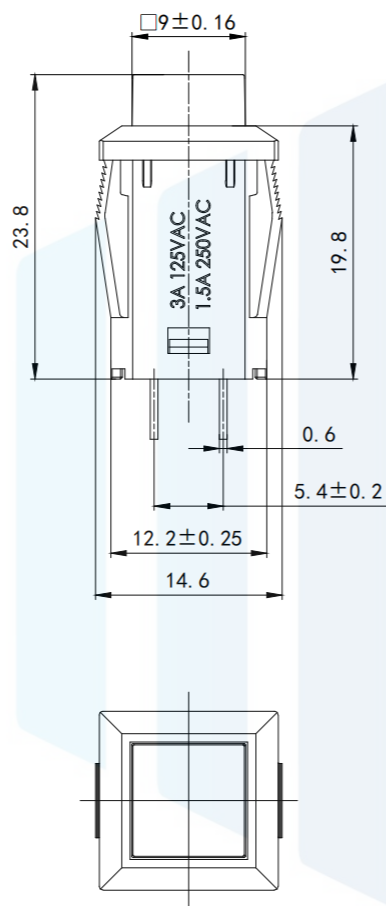


RoHS2.0
Compliant



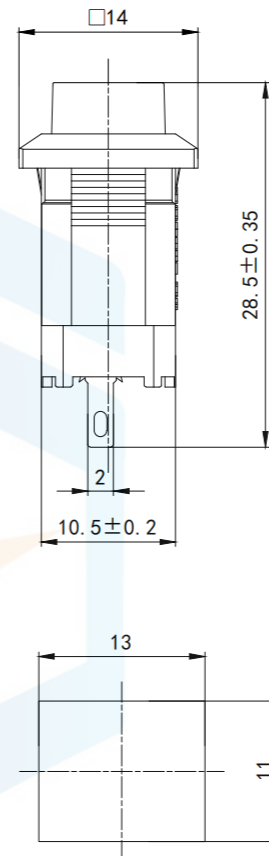
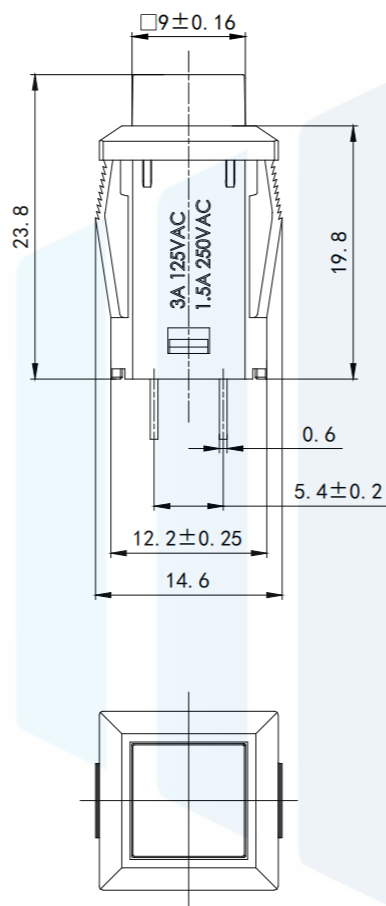
安装尺寸

The Main hchnology

1. Circuit:
2. Rated voltage: 1.5A 250V[~]
Rated current: 3A 125V[~]
3. Insulated resistance: $\geq 100M\Omega$
4. Contact resistance: $\leq 100M\Omega$
5. Dielectric strength: $\geq 500V/5S$
6. Endurance: ≥ 10000 次
7. Ambient temperature: T85

TOLERANCE	X. XXX	±0.05		东莞市恒祺电子科技有限公司		
	X. XX	±0.15		Dongguan Hengqi Electronic Technology Co., Ltd		
X. X	±0.20		https://www.hq-dz.com		phone:15812872448	
X.	±0.30		TITLE: 按钮开关		PART NO:PBS-12B接通	
ANGLE	±5.0°				DRAWING NO:14*28.5	
PROTECTON		DRAWN:		DATE:	18-10-08	UNIT: mm
		CHECKED:		DATE:	18-10-08	SCALE: FULL
		APPROVED:		DATE:	18-10-08	SIZE: A4


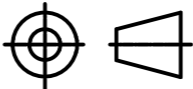
RoHS2.0
Compliant



安装尺寸

The Main hchnology

1. Circuit:
2. Rated voltage: 1.5A 250V[~]
Rated current: 3A 125V[~]
3. Insulated resistance: $\geq 100M\Omega$
4. Contact resistance: $\leq 100M\Omega$
5. Dielectric strength: $\geq 500V/5S$
6. Endurance: ≥ 10000 次
7. Ambient temperature: T85

TOLERANCE	X. XXX	±0.05	 东莞市恒祺电子科技有限公司 Dongguan Hengqi Electronic Technology Co., Ltd			
	X. XX	±0.15				
X. X	±0.20	https://www.hq-dz.com		phone: 15812872448		
X.	±0.30	TITLE:		PART NO: PBS-12B按钮		
ANGLE	±5.0°	按钮开关		DRAWING NO: 14*28.5		
PROTECTON 	DRAWN:		DATE:	18-10-08	UNIT: mm	
	CHECKED:		DATE:	18-10-08	SCALE: FULL	
	APPROVED:		DATE:	18-10-08	SIZE: A4	