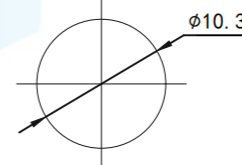
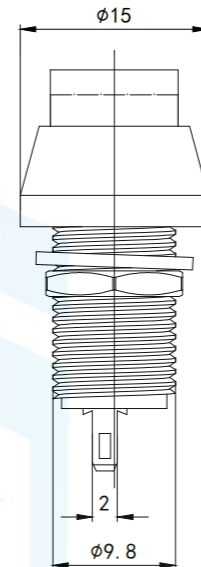
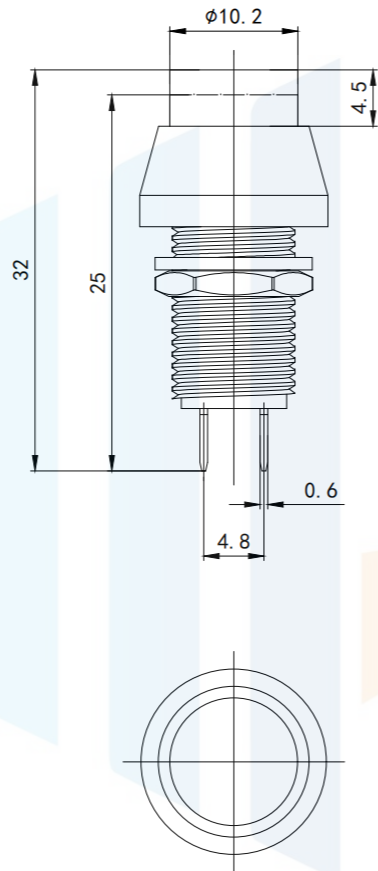
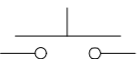



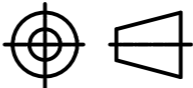
RoHS2.0
Compliant



安装尺寸

The Main hchnology

1. Circuit: 
2. Rated voltage: 1.5A 250V~
Rated current: 1.5A 250V~
3. Insulated resistance: $\geq 100M\Omega$
4. Contact resistance: $\leq 100M\Omega$
5. Dielectric strength: $\geq 500V/5S$
6. Endurance: ≥ 10000 次
7. Ambient temperature: T85

TOLERANCE	X. XXX	±0.05	 东莞市恒祺电子科技有限公司 Dongguan Hengqi Electronic Technology Co., Ltd
	X. XX	±0.15	
	X. X	±0.20	https://www.hq-dz.com phone: 15812872448
	X.	±0.30	TITLE: 按钮开关 PART NO: PBS-450
	ANGLE	±5.0°	DRAWING NO: 15*32
PROTECTON 	DRAWN:		DATE: 18-10-08 UNIT: mm
	CHECKED:		DATE: 18-10-08 SCALE: FULL
	APPROVED:		DATE: 18-10-08 SIZE: A4