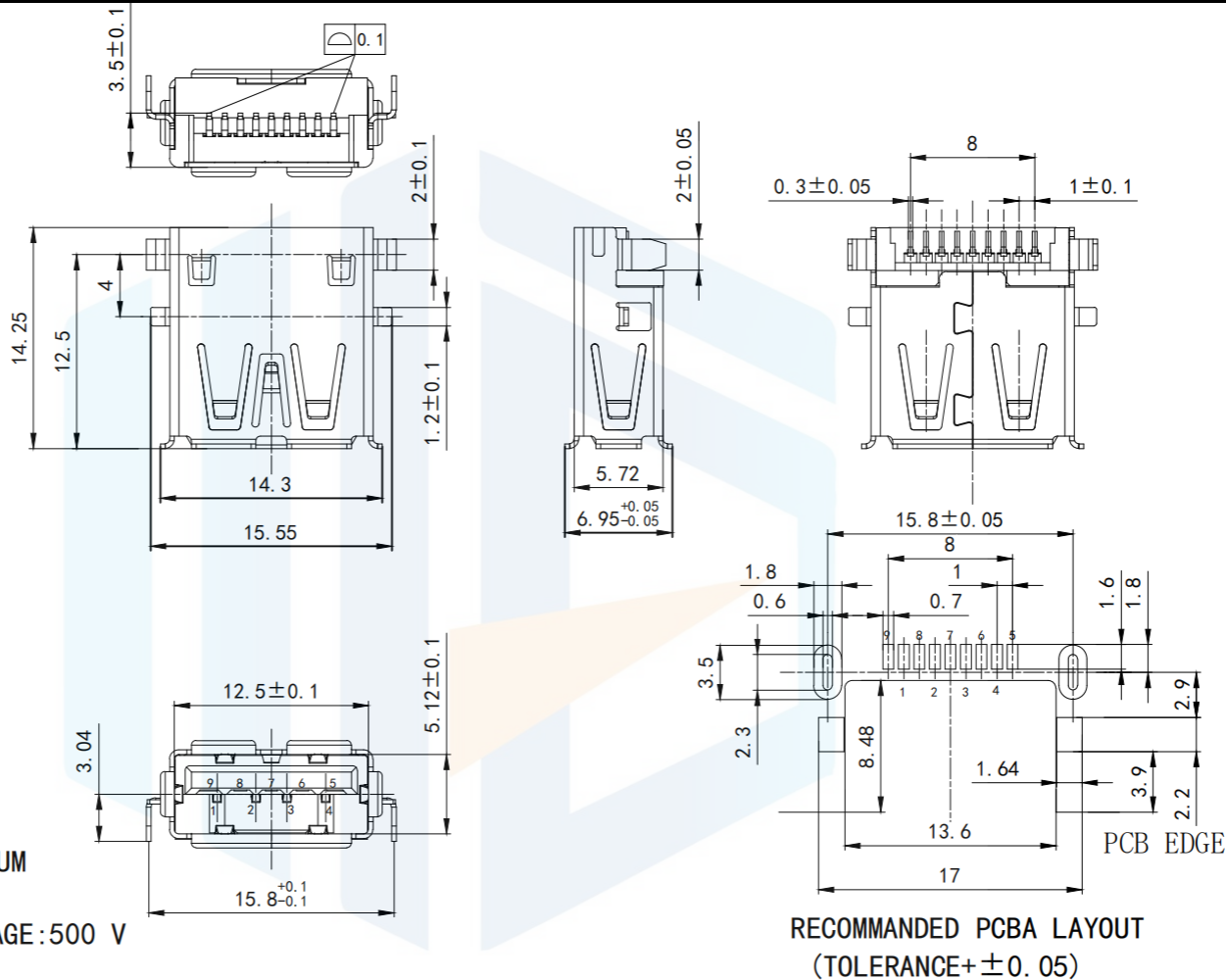


RoHS2.0  
Compliant



Pin NUMBER	SIGNAL NAME
1	VBUS
2	D-
3	D+
4	GND
5	StdA_SSRX-
6	StdA_SSRX+
7	GND_DRAIN
8	StdA_SSTX-
9	StdA_SSTX+
Shell	Shield

NOTE:

1. MATERIAL:

- 1.1 INSULATOR:LCP UL 94V-0
- 1.2 CONTACT:BRONZE (T=0.20mm)
- 1.3 SHELL:SUS201 (T=0.30mm)

2. ELECTRICAL CHARACTERISTICS;

- 2.1 CONTACT RESISTANCE:30mΩ MAXIMUM
- 2.2 CONTACT CURRENT RATING:1.5A
- 2.3 DIELECTRIC WITHSTANDING VOLTAGE:500 V

R. M. S.

- 2.4 INSULATION RESISTANCE 1000 MEGOHMS MIN
- 2.5 OPERATING TEMPERATURE:-40° C ~ 85° C

3 MECHANICAL CHARACTERISTICS:

- 3.1 MATING FORCE:3.57kg MAX
- 3.2 UNMATED FORCE:1.02kg MIN
- 3.3 DURABILITY:MANDATORY:5,000 CYCLES

4. PLATING

- 4.1 TERMINAL:  
50u" MIN NICKEL ALL OVER  
100u"MIN Tin ON SOLDER AREA  
(1~30)u"Au ON CONTACT AREA
- 4.2 SHELL:100u"MIN. NICEL ALL OVER

RECOMMENDED PCBA LAYOUT  
(TOLERANCE+±0.05)

TOLERANCE	X. XXX	±0.05		东莞市恒祺电子科技有限公司 Dongguan Hengqi Electronic Technology Co., Ltd	
	X. XX	±0.15		<a href="https://www.hq-dz.com">https://www.hq-dz.com</a> phone:15812872448	
PROTECTON 	X. X	±0.20	TITLE: USB3.0 A/F 沉板3.5贴片卷边 4定位脚外移前贴后插	PART NO:USB3.0-V203	
	X.	±0.30		DRAWING NO:14.25*15.55*6.95	
	ANGLE	±5.0°		DRAWN:	DATE:
			CHECKED:	DATE:	18-10-08
			APPROVED:	DATE:	18-10-08
				UNIT:	mm
				SCALE:	FULL
				SIZE:	A4