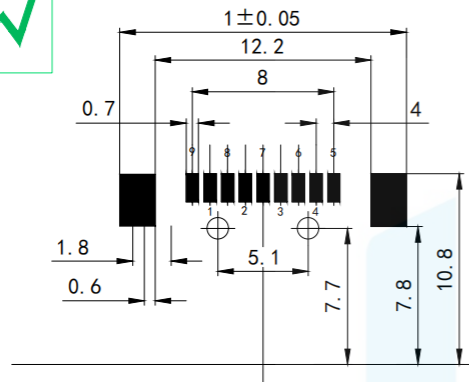
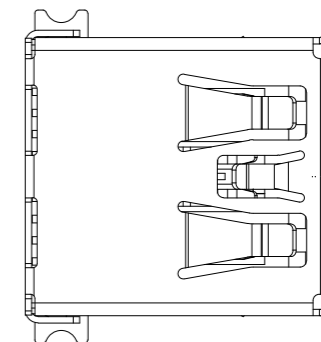
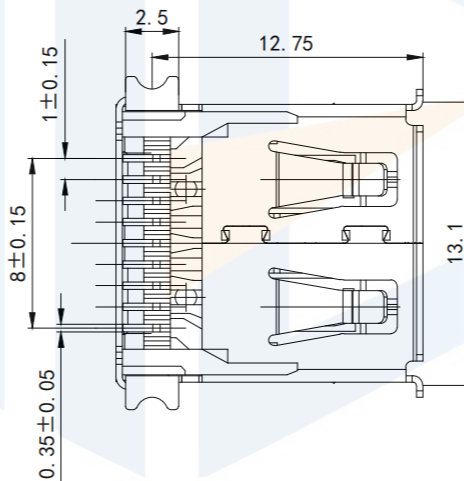
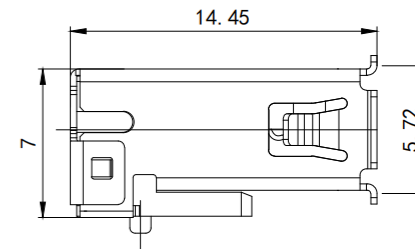
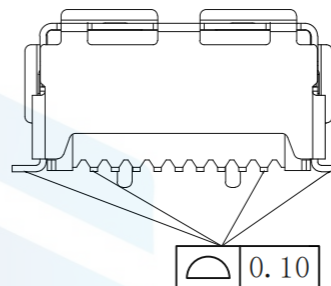
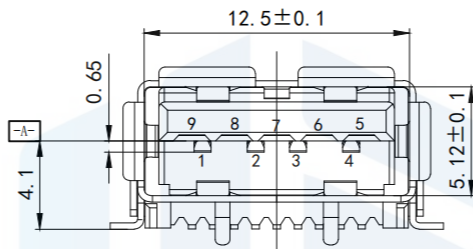


RoHS2.0  
Compliant



PCB EDGE  
RECOMMENDED PCB LAYOUT



NOTE:

1. MATERIAL:

- 1.1 INSULATOR: LCP UL 94V-0
- 1.2 CONTACT: BRONZE
- 1.3 SHELL: BRASS

2. ELECTRICAL CHARACTERISTICS:

- 2.1 CONTACT RESISTANCE: 30mΩ MAXIMUM
- 2.2 CONTACT CURRENT RATING: 1.5A
- 2.3 DIELECTRIC WITHSTANDING VOLTAGE: 100 V AC

R. M. S.

- 2.4 INSULATION RESISTANCE 100 MEGOHMS MIN
- 2.5 OPERATING TEMPERATURE: -40° C ~ 85° C


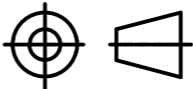
3 MECHANICAL CHARACTERISTICS:

- 3.1 MATING FORCE: 3.57kgf MAX
- 3.2 UNMATED FORCE: 0.82kgf MIN AFTER TEST
- 3.3 DURABILITY MANDATORY: 1200 CYCLES

4. PLATING

- 4.1 TERMINAL:
  - 50u" MIN NICKEL ALL OVER
  - 80u" MIN Tin ON SOLDER AREA
  - (1j<<30)u"Au ON CONTACT AREA
- 4.2 SHELL: 100u" MIN. NIGEL ALL OVER

Pin NUMBER	SIGNAL NAME
1	VBUS
2	D-
3	D+
4	GND
5	StdA_SSRX-
6	StdA_SSRX+
7	GND_DRAIN
8	StdA_SSTX-
9	StdA_SSTX+
Shell	Shield

TOLERANCE			东莞市恒祺电子科技有限公司 Dongguan Hengqi Electronic Technology Co., Ltd		
X. XXX	±0.05		<a href="https://www.hq-dz.com">https://www.hq-dz.com</a>		
X. XX	±0.15	phone: 15812872448			
X. X	±0.20	TITLE: USB3.0 A/F 板上全贴 短体卷边			
X.	±0.30	PART NO: USB3.0-C040			
ANGLE	±5.0°	DRAWING NO: 14.45*13.1*7			
PROTECTON 		DRAWN:	DATE:	18-10-08	UNIT: mm
		CHECKED:	DATE:	18-10-08	SCALE: FULL
		APPROVED:	DATE:	18-10-08	SIZE: A4