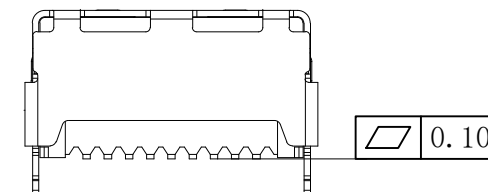
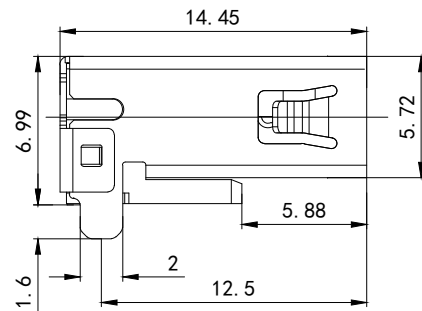
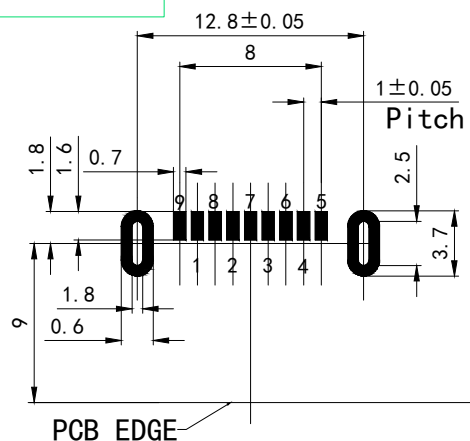
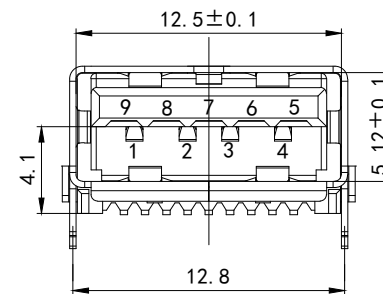
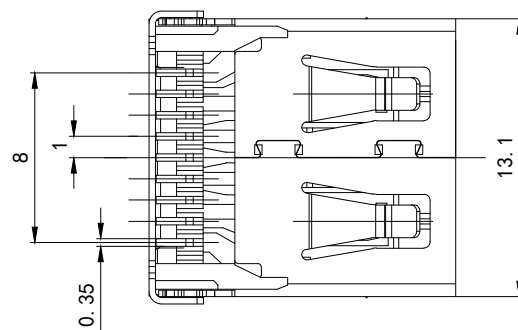


RoHS2.0
Compliant



- NOTE:** RECOMMENDED PCB LAYOUT
TOLERANCES: ± 0.05
- 1. MATERIAL:**
- 1.1 INSULATOR: HIGH TEMPERATURE PLASTIC
 - 1.2 CONTACT: BRONZE, C5191
 - 1.3 SHELL: BRASS, C2680
- 2. ELECTRICAL CHARACTERISTICS:**
- 2.1 CONTACT RESISTANCE: $30m\Omega$ MAXIMUM
 - 2.2 CONTACT CURRENT RATING: 1.5A
 - 2.3 DIELECTRIC WITHSTANDING VOLTAGE: 100 V AC R. M. S.
 - 2.4 INSULATION RESISTANCE 100 MEGOHMS MIN
 - 2.5 OPERATING TEMPERATURE: $-40^{\circ}C \sim 85^{\circ}C$
- 3. MECHANICAL CHARACTERISTICS:**
- 3.1 MATING FORCE: 3.57kgf MAX
 - 3.2 UNMATED FORCE: 0.82kgf MIN AFTER TEST
 - 3.3 DURABILITY MANDATORY: 1,500 CYCLES
 - 3.4 Salt Spray: 24 hours
- 4. PLATING**
- 4.1 TERMINAL:
 - 50u" NICKEL ALL OVER
 - 80u" Tin ON SOLDER AREA
 - (1~30)u" Au ON CONTACT AREA
 - 4.2 SHELL: 50u" NICKEL ALL OVER



Pin #	SIGNAL NAME
1	VBUS
2	D-
3	D+
4	GND
5	StdA_SSRX-
6	StdA_SSRX+
7	GND_DRAIN
8	StdA_SSTX-
9	StdA_SSTX+
Shell	Shield

TOLERANCE	
X. XXX	± 0.05
X. XX	± 0.15
X. X	± 0.20
X.	± 0.30
ANGLE	$\pm 5.0^{\circ}$

PROTECTON	

	东莞市恒祺电子科技有限公司 Dongguan Hengqi Electronic Technology Co., Ltd	
	https://www.hq-dz.com phone: 15812872448	
TITLE: USB 3.0 A/F 板上方向脚短体 直边2定位脚短脚长		PART NO: USB3.0-C076 DRAWING NO: 14.45*13.1*5.72
DRAWN:	DATE:	18-10-08
CHECKED:	DATE:	18-10-08
APPROVED:	DATE:	18-10-08
	UNIT:	mm
	SCALE:	FULL
	SIZE:	A4