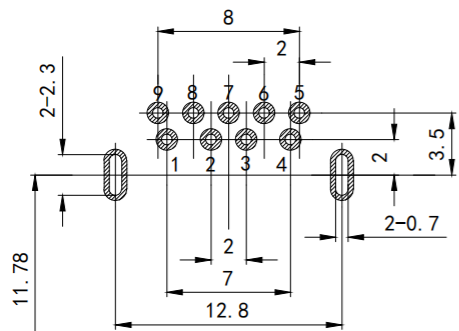


RoHS2.0
Compliant



RECOMMENDED PCBA LAYOUT
(TOLERANCE+ ± 0.05)

NOTE:

1. MATERIAL:

- 1.1 INSULATOR: HIGH TEMPERATURE PLASTIC
- 1.2 CONTACT: BRONZE
- 1.3 SHELL: SUS201

2. ELECTRICAL CHARACTERISTICS:

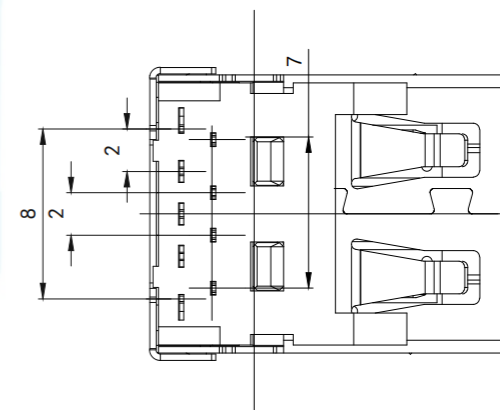
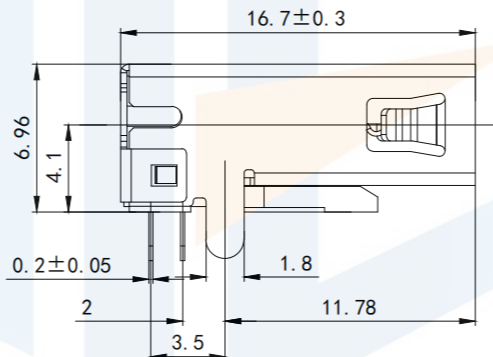
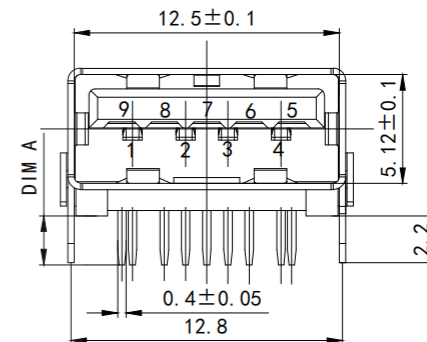
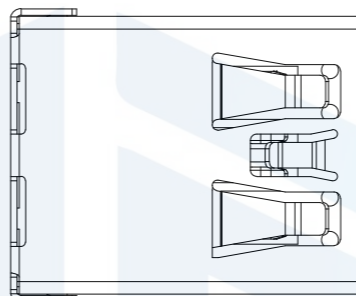
- 2.1 CONTACT RESISTANCE: 30m Ω MAX
- 2.2 CONTACT CURRENT RATING: 1.5A
- 2.3 DIELECTRIC WITHSTANDING VOLTAGE: 100 V R. M. S.
- 2.4 INSULATION RESISTANCE 100 M Ω MIN
- 2.5 OPERATING TEMPERATURE: -20 $^{\circ}$ C ~ 60 $^{\circ}$ C

3 MECHANICAL CHARACTERISTICS:

- 3.1 MATING FORCE: 3.57kgf MAX
- 3.2 UNMATING FORCE: 1.02kgf MIN
- 3.3 DURABILITY: MANDATORY: 1,500 CYCLES

4. PLATING

- 4.1 TERMINAL:
50u" MIN NICKEL ALL OVER
80u" MIN Tin ON SOLDER AREA
(1~30)u"Au ON CONTACT AREA
- 4.2 SHELL: 80u" MIN. NICKEL ALL OVER
- 7. PART NO.



Pin #	SIGNAL NAME
1	VBUS
2	D-
3	D+
4	GND
5	StdA_SSRX-
6	StdA_SSRX+
7	GND_DRAIN
8	StdA_SSTX-
9	StdA_SSTX+
Shell	Shield

TOLERANCE	
X. XXX	± 0.05
X. XX	± 0.15
X. X	± 0.20
X.	± 0.30
ANGLE	$\pm 5.0^{\circ}$
PROTECTON	

		东莞市恒祺电子科技有限公司 Dongguan Hengqi Electronic Technology Co., Ltd	
		https://www.hq-dz.com phone: 15812872448	
TITLE: USB 3.0 A/F 板上90度插板 直边2脚定位K脚		PART NO: USB3.0-C089	
DRAWN:		DATE: 18-10-08	
CHECKED:		DATE: 18-10-08	
APPROVED:		DATE: 18-10-08	
		UNIT:	mm
		SCALE:	FULL
		SIZE:	A4