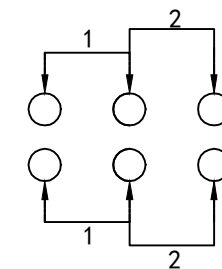
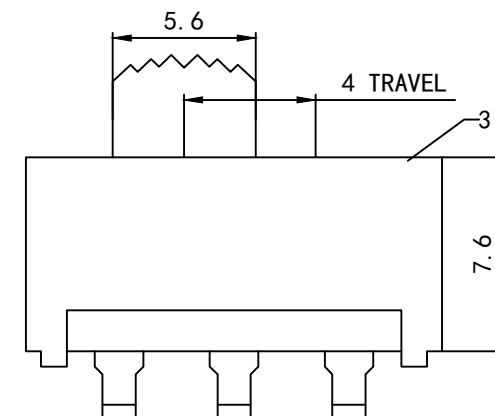
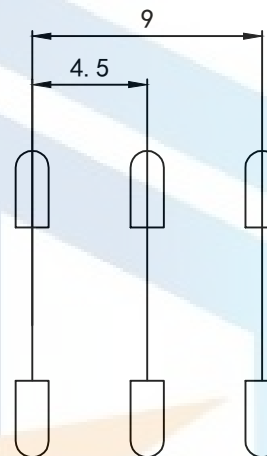
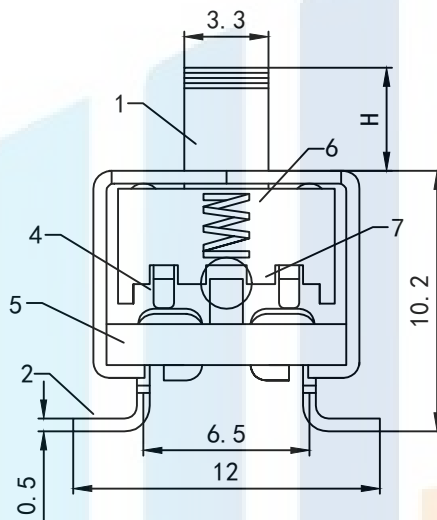
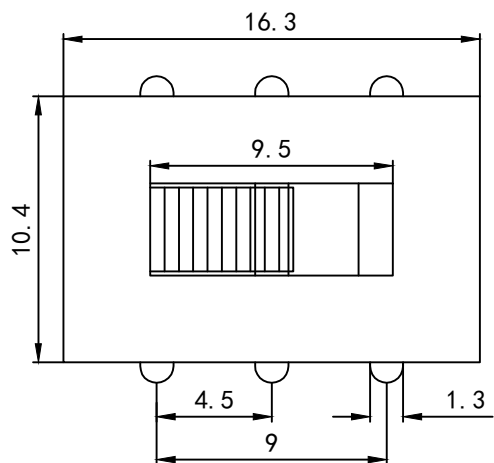


RoHS2.0
Compliant



SCHMATIC



Electrical performance parameters:

Rated load: AC125V 2A

2. Contact resistance: less than 100 milliohm

3. Insulation resistance: more than 100 megohm

4. Withstand voltage: AC 500V

5. Strength: 0.2-0.8N

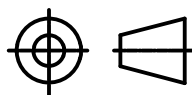
6. Life: 3000 times

7. Wave soldering: 255+5 degrees

TOLERANCE

X. XXX	±0.05
X. XX	±0.15
X. X	±0.20
X.	±0.30
ANGLE	±5.0°

PROTECTON



东莞市恒祺电子科技有限公司

Dongguan Hengqi Electronic Technology Co., Ltd

<https://www.hq-dz.com>

phone: 15812872448

TITLE:

拨动开关

PART NO: SS-22G09

DRAWING NO: 16.3*7.6*H

DRAWN:

DATE:

18-10-08

UNIT:
mm

CHECKED:

DATE:

18-10-08

SCALE:
FULL

APPROVED:

DATE:

18-10-08

SIZE:
A4