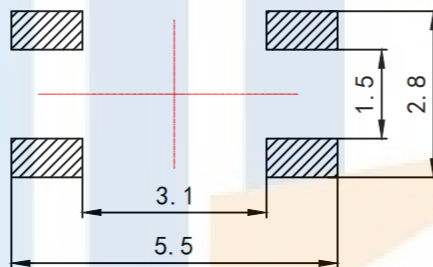
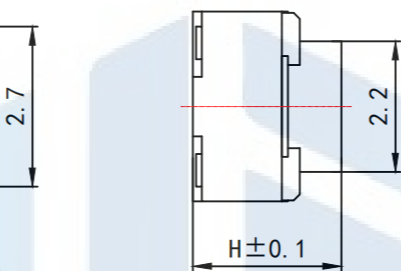
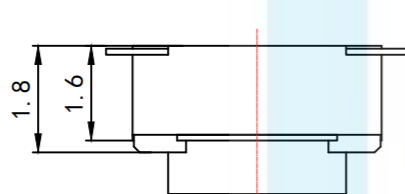
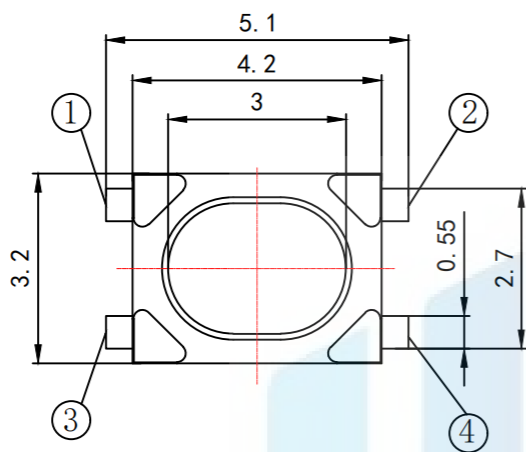
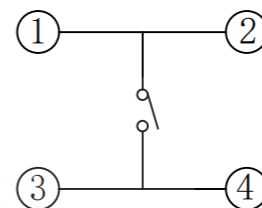


RoHS2.0  
Compliant ✓

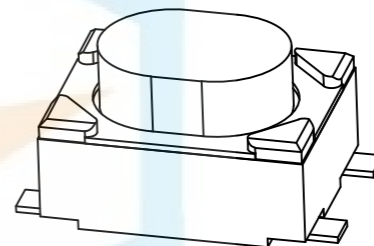
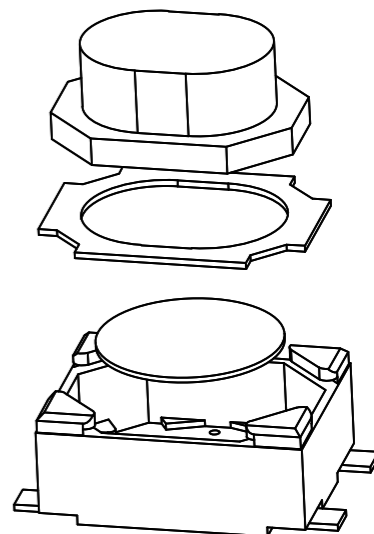
H
2.5
2.8
3.5
4.0
4.6



PCB. 焊接图


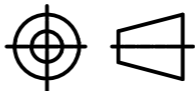


电路图



Key Technical Specifications:

1. Rating: 50mA DC12V
2. Contact resistance:  $\leq 100m\Omega$
3. Operating force:  $250 \pm 40gf$
4. Itinerary:  $0.20 \pm 0.1mm$
5. Insulation resistance:  $\geq 100M\Omega$
6. Electrical strength: 250V 50HZ 1Min.
7. life span: 100,000 Cycles

<b>TOLERANCE</b> X. XXX $\pm 0.05$ X. XX $\pm 0.15$ X. X $\pm 0.20$ X. $\pm 0.30$ ANGLE $\pm 5.0^\circ$		<b>东莞市恒祺电子科技有限公司</b> Dongguan Hengqi Electronic Technology Co., Ltd			
		<a href="https://www.hq-dz.com">https://www.hq-dz.com</a>		phone: 15812872448	
<b>PROTECTON</b> 		<b>TITLE:</b> 轻触开关		<b>PART NO:</b> HQ-TS-A017	
<b>DRAWN:</b>		<b>DATE:</b> 18-10-08		<b>UNIT:</b> mm	
<b>CHECKED:</b>		<b>DATE:</b> 18-10-08		<b>SCALE:</b> FULL	
<b>APPROVED:</b>		<b>DATE:</b> 18-10-08		<b>SIZE:</b> A4	
		<b>DRAWING NO:</b> 3*4*H			