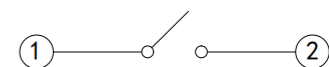
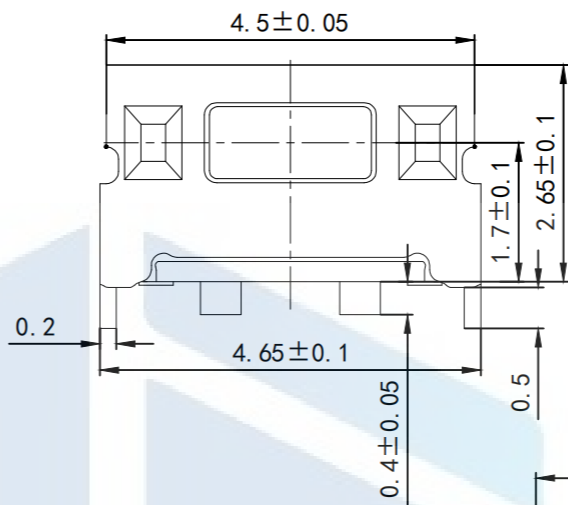
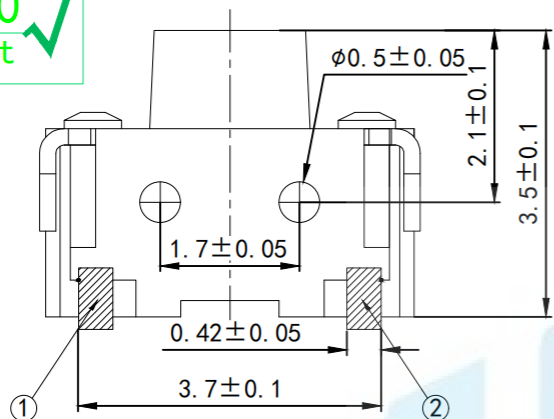
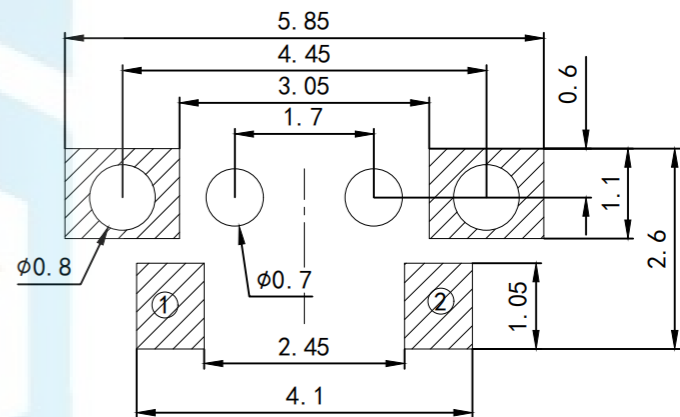
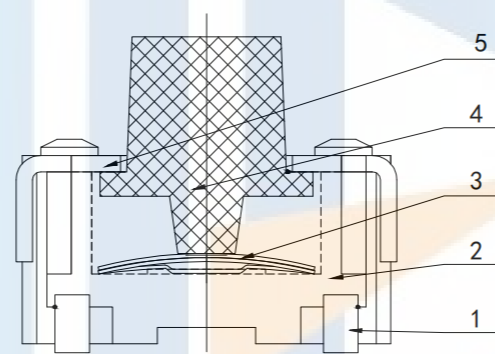
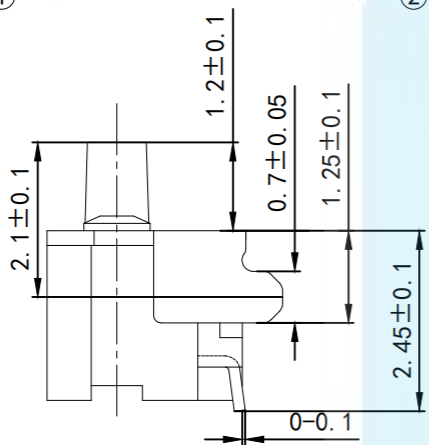


RoHS2.0
Compliant ✓



原理图



安装参考图

Technical requirement

1. The surface of plastic parts is smooth and clean without scratches, splash, deformation, and influence Defects in view and performance.
2. Rated current :50mA. 12V DC, insulation resistance 100MS2min, 100V DC, dielectric strength 250V AC for 1min, contact resistance 100m2 max
3. The switch feels obvious, the gear position is clear and reliable, no stuck phenomenon, after eliminating external force, it should be able to return quickly.

TOLERANCE	X. XXX	±0.05		东莞市恒祺电子科技有限公司			
	X. XX	±0.15		Dongguan Hengqi Electronic Technology Co., Ltd			
X. X	±0.20		https://www.hq-dz.com	phone:15812872448			
X.	±0.30		TITLE:	PART NO:HQ-TS-A029			
ANGLE	±5.0°		轻触开关	DRAWING NO:2*4*3.5加厚			
PROTECTON		DRAWN:		DATE:	18-10-08	UNIT:	mm
		CHECKED:		DATE:	18-10-08	SCALE:	FULL
		APPROVED:		DATE:	18-10-08	SIZE:	A4