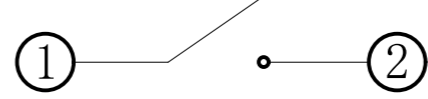
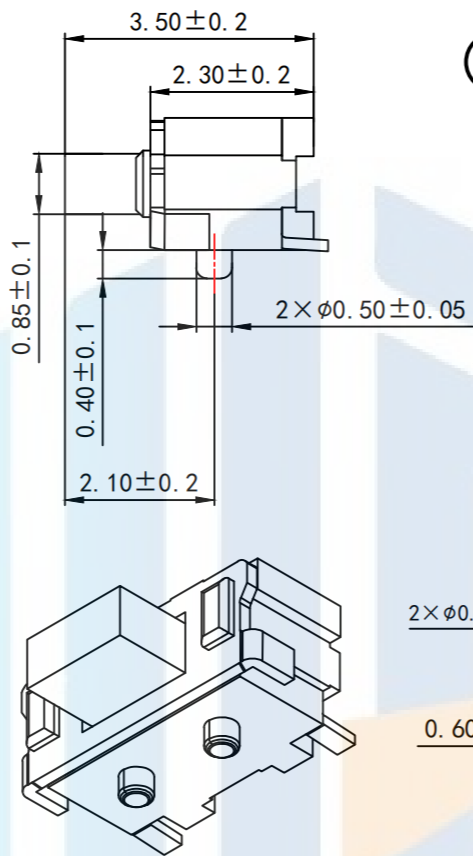
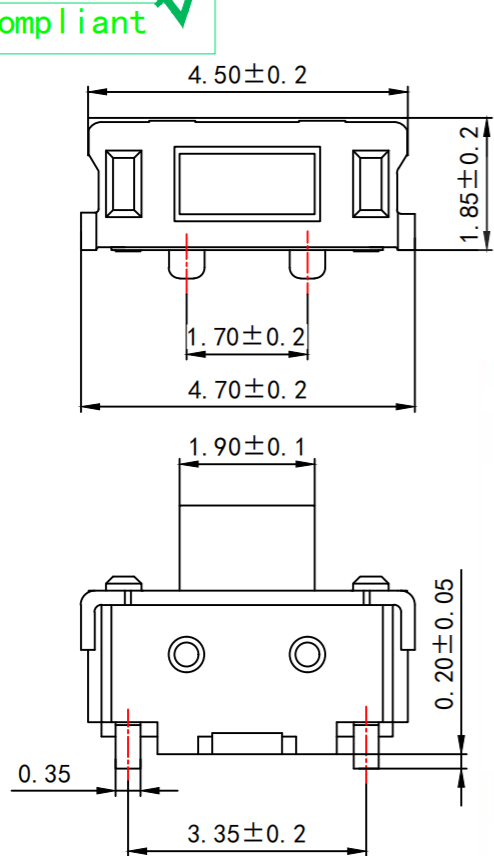
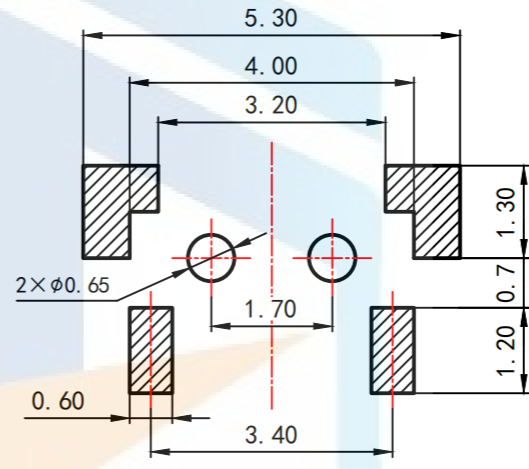
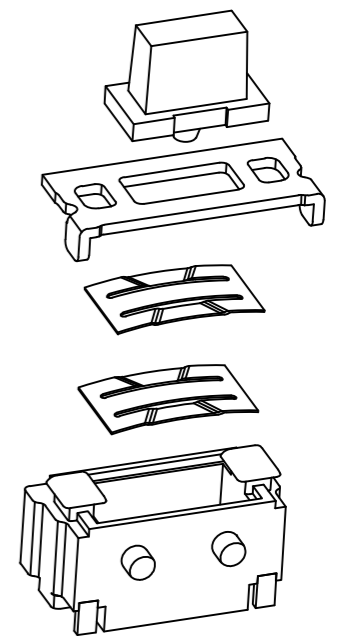


RoHS2.0  
Compliant



电路图



PCB. 焊接图

Key Technical Specifications:

1. Rating: 50mA DC12V
2. Contact resistance: ≤100mΩ
3. Operating force: 180±40gf
4. Itinerary: 0.20±0.1mm
5. Insulation resistance: ≥100MΩ
6. Electrical strength: 250V 50HZ 1Min.
7. life span: 100,000 Cycles

<b>TOLERANCE</b> X. XXX ±0.05 X. XX ±0.15 X. X ±0.20 X. ±0.30 ANGLE ±5.0°		<b>东莞市恒祺电子科技有限公司</b> Dongguan Hengqi Electronic Technology Co., Ltd		
		<a href="https://www.hq-dz.com">https://www.hq-dz.com</a> phone:15812872448		
<b>PROTECTON</b> 	<b>轻触开关</b>	TITLE:		
		DRAWN:	DATE: 18-10-08	UNIT: mm
		CHECKED:	DATE: 18-10-08	SCALE: FULL
APPROVED:	DATE: 18-10-08	SIZE: A4		