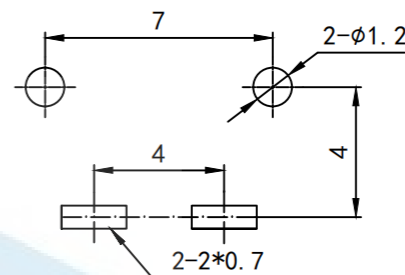
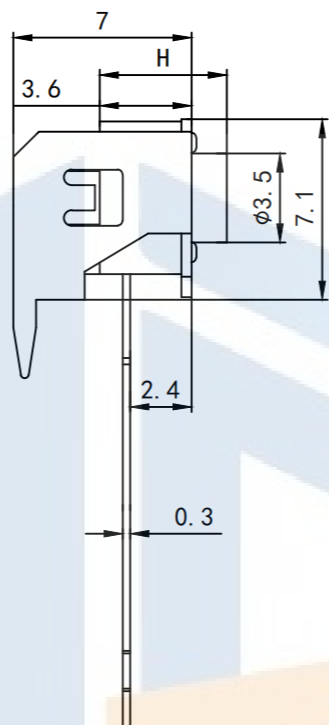
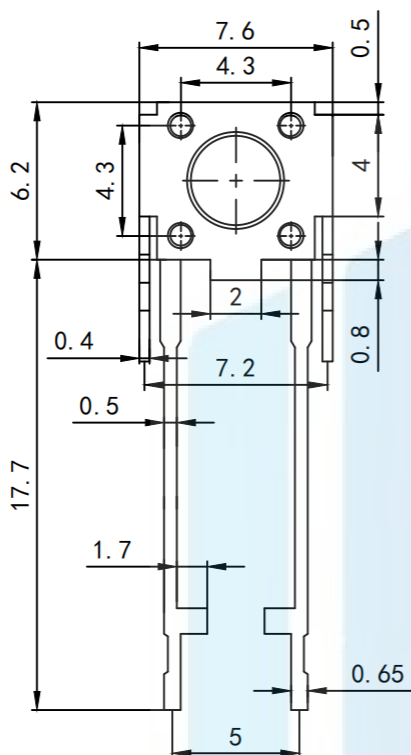
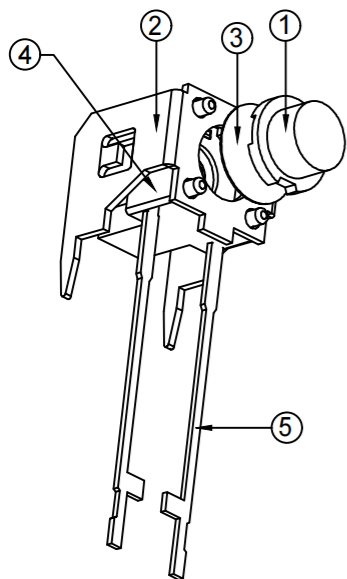
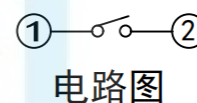


RoHS2.0  
Compliant



PCB线路板安装图(±0.1)



15
12
11
9.5
8
7
5
4.3
高度H(mm)

Technical Parameters:  
 Cooking temperature:  $-25\sim+85^{\circ}\text{C}$   
 Rated load: DC12V50mA;  
 Contact resistance:  $\leq 30\ \Omega$   
 Insulation resistance:  $\geq 100\text{M}\Omega$ ;  
 Withstand voltage: AC250V(50Hz)/min;  
 Operating force:  $1.3\pm 0.5\text{N}$ ;  
 Service life: 100,000 times;

<b>TOLERANCE</b> X. XXX $\pm 0.05$ X. XX $\pm 0.15$ X. X $\pm 0.20$ X. $\pm 0.30$ ANGLE $\pm 5.0^{\circ}$		<b>东莞市恒祺电子科技有限公司</b> Dongguan Hengqi Electronic Technology Co., Ltd		
		<a href="https://www.hq-dz.com">https://www.hq-dz.com</a> phone:15812872448		
<b>PROTECTON</b> 	<b>TITLE:</b> 轻触开关		<b>PART NO:</b> HQ-TS-D015	
	<b>DRAWN:</b>		<b>DRAWING NO:</b> 6*6*H支架长脚	
	<b>CHECKED:</b>	<b>DATE:</b> 18-10-08	<b>UNIT:</b> mm	<b>SCALE:</b> FULL
<b>APPROVED:</b>	<b>DATE:</b> 18-10-08	<b>DATE:</b> 18-10-08	<b>SIZE:</b> A4	