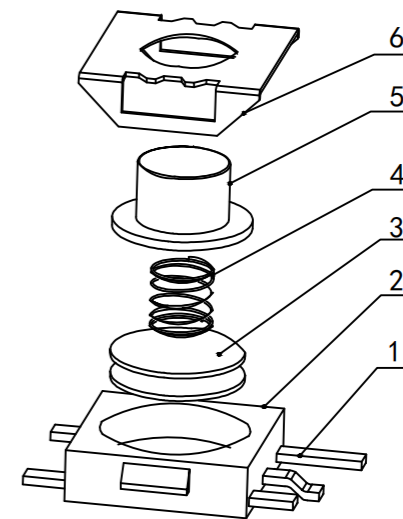
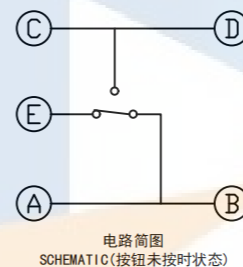
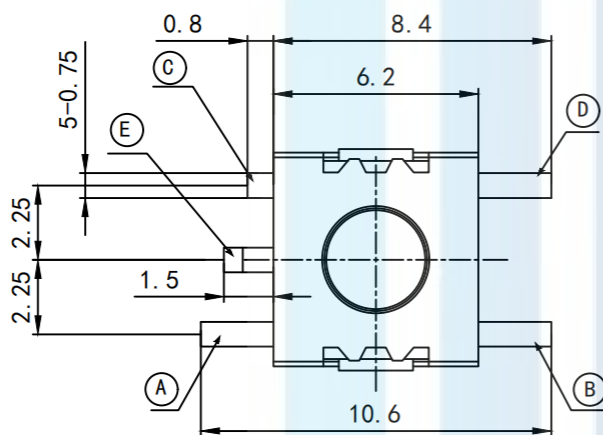
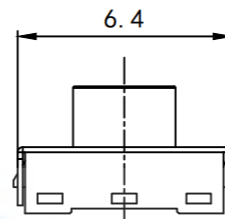
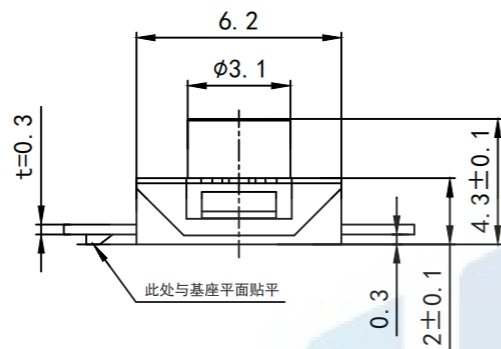


RoHS2.0  
Compliant



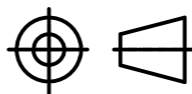
Technical Parameters:

1. Rating: DC12V 50mA.
2. Travel: 0.3+0.1mm.
3. Operating Force: 320+50gf
4. Contact Resistance: 50Ω Max
5. Life: 10,000 Cycles Min.

TOLERANCE

X. XXX	±0.05
X. XX	±0.15
X. X	±0.20
X.	±0.30
ANGLE	±5.0°

PROTECTON



东莞市恒祺电子科技有限公司

Dongguan Hengqi Electronic Technology Co., Ltd

<https://www.hq-dz.com>

phone: 15812872448

TITLE:

轻触开关

PART NO: HQ-TS-E008

DRAWING NO: 6.2\*6.2\*4.3常闭

DRAWN:

CHECKED:

APPROVED:

DATE:

DATE:

DATE:

18-10-08

18-10-08

18-10-08

UNIT:  
mm

SCALE:  
FULL

SIZE:  
A4