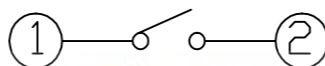
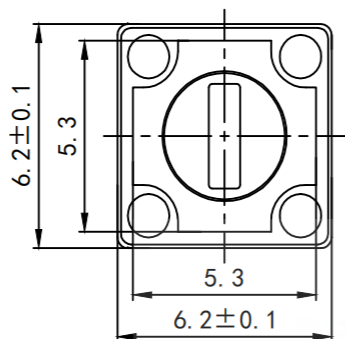
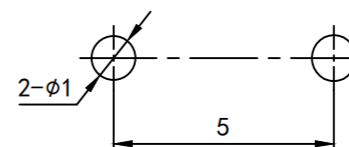


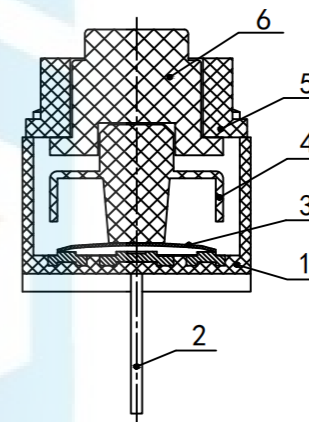
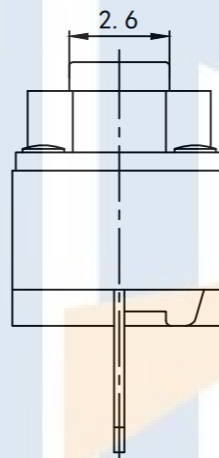
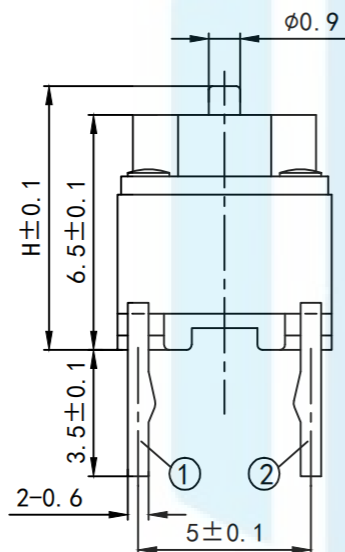
RoHS2.0
Compliant ✓



CIRCUIT DIAGRAM



P. C. B LAND DIMENSION



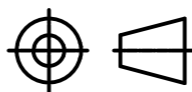
Technical Parameters:

1. RATING:DC 12V 50mA
2. CONTACT RESISTANCE :100mΩ MAX
3. GENERAL TOLERANCE :+0.2
4. MANUFACTURING SPECIFICATION
WOULD BE ACCORDANCE WITH WT0158

TOLERANCE

X. XXX	±0.05
X. XX	±0.15
X. X	±0.20
X.	±0.30
ANGLE	±5.0°

PROTECTON



东莞市恒祺电子科技有限公司

Dongguan Hengqi Electronic Technology Co., Ltd

<https://www.hq-dz.com>

phone:15812872448

TITLE:

轻触开关

PART NO:HQ-TS-E010

DRAWING NO:6.2*6.2*H

DRAWN:

DATE:

18-10-08

UNIT:
mm

CHECKED:

DATE:

18-10-08

SCALE:
FULL

APPROVED:

DATE:

18-10-08

SIZE:
A4