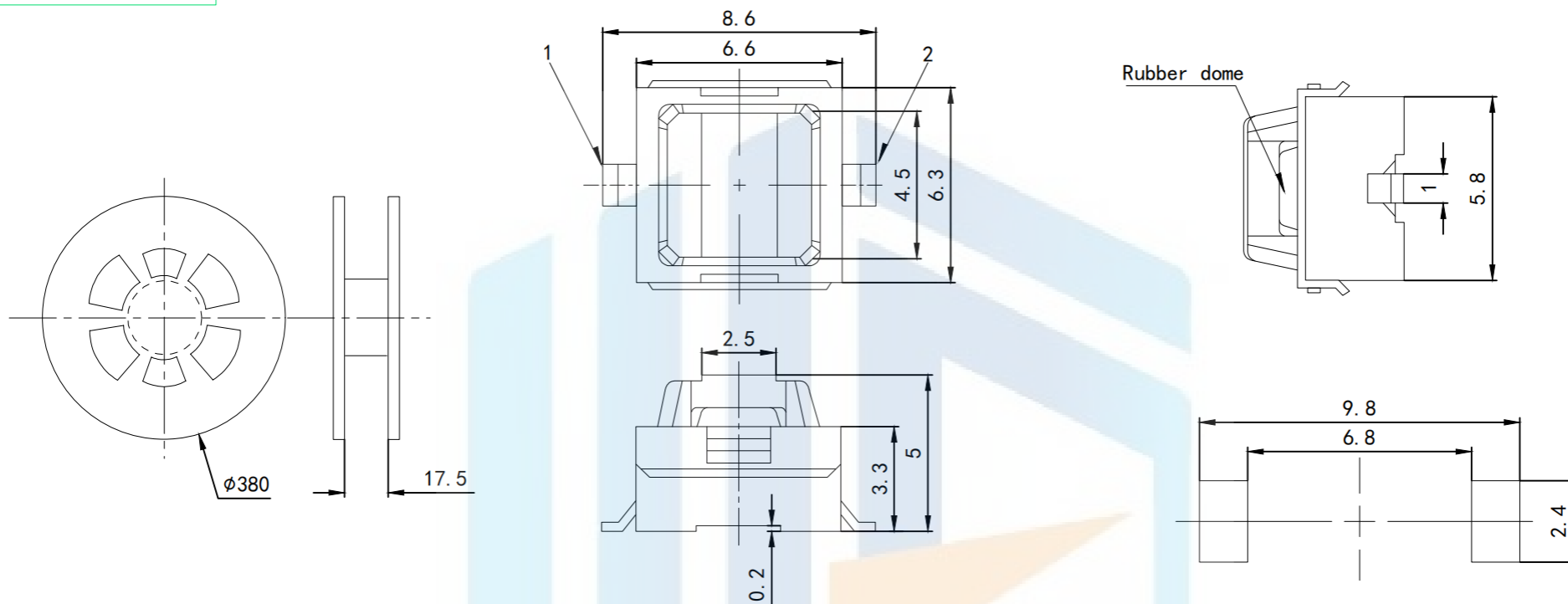

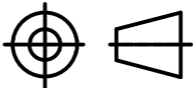


RoHS2.0  
Compliant ✓



NOTE

1. TRAVEL:  $0.25+0.2/-0.1$ mm
2. RATING: DC15V 20mA
3. CONTACT RESISTANCE:  $50\text{m}\Omega$  MAX
4. GENERAL TOLERANCE:  $\pm 0.3$
5. MANUFACTURING SPECIFICATION WOULD BE ACCORDANCE WITH JR 0002LF

TOLERANCE		 东莞市恒祺电子科技有限公司 Dongguan Hengqi Electronic Technology Co., Ltd		
X. XXX	$\pm 0.05$			
X. XX	$\pm 0.15$	<a href="https://www.hq-dz.com">https://www.hq-dz.com</a>		
X. X	$\pm 0.20$	phone: 15812872448		
X.	$\pm 0.30$	TITLE: 轻触开关		
ANGLE	$\pm 5.0^\circ$	PART NO: HQ-TS-F002		
PROTECTON 		DRAWN:		
		CHECKED:		
		APPROVED:		
		DATE:	18-10-08	UNIT: mm
		DATE:	18-10-08	SCALE: FULL
		DATE:	18-10-08	SIZE: A4